

**TOP ASSEMBLY LEAKS (ALUMINUM SKIN) TROUBLE SHOOTING GUIDE  
1968 TO PRESENT MODEL YEAR FOLDING TRAILERS**

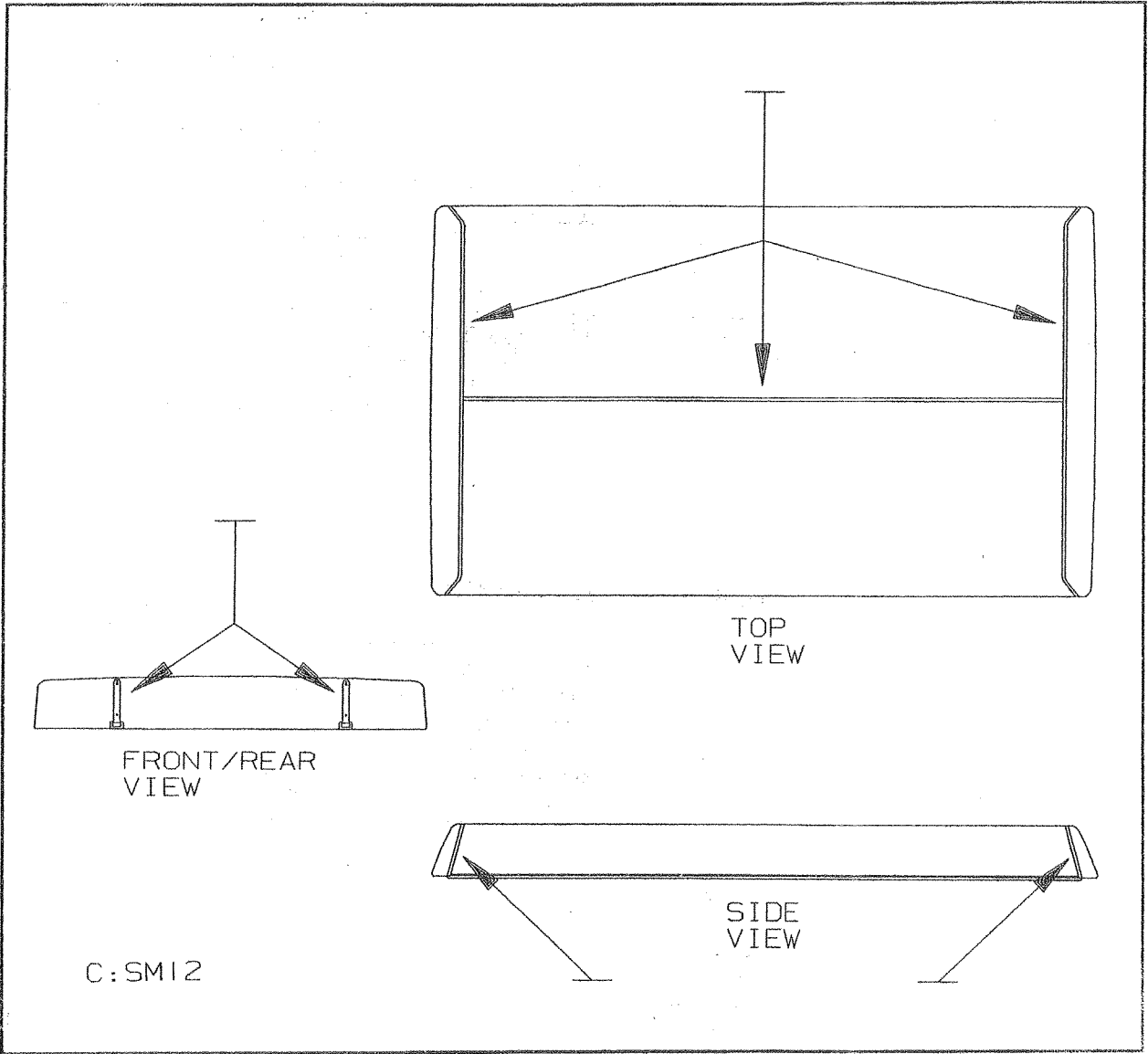
<b>SYMPTOM: WATER LEAKS AROUND LIGHT FIXTURE</b>	<b>REPAIR ACTION</b>
EXTERIOR CENTER SEAM SEAL BROKEN	REMOVE CENTER SEAM. CLEAN AND SEAL TOP OUTER SKIN SPLICE. REPLACE CENTER SEAM (WITH NEW, IF NECESSARY).
<b>SYMPTOM: INTERIOR PANELING SWELLS IN ONE AREA AND IS WRINKLED</b>	<b>REPAIR ACTION</b>
EXTERIOR CENTER SEAM SEAL BROKEN	REMOVE CENTER SEAM. CLEAN AND SEAL TOP OUTER SKIN SPLICE. REPLACE CENTER SEAM (WITH NEW, IF NECESSARY).
VOIDED OR CRACKED CAULKING AROUND TOP CORNERS AND SIDE RAILS	REMOVE OLD CAULKING; RECAULK DAMAGED AREAS
<b>SYMPTOM: WATER STAINS</b>	<b>REPAIR ACTION</b>
EXTERIOR CENTER SEAM SEAL BROKEN	REMOVE CENTER SEAM. CLEAN AND SEAL TOP OUTER SKIN SPLICE. REPLACE CENTER SEAM (WITH NEW, IF NECESSARY).
CAULKING VOIDS	REMOVE OLD CAULKING; RECAULK DAMAGED AREAS
BROKEN SEAL AROUND END TRIM	RESEAL
<b>SYMPTOM: WATER LEAKS ALONG INTERIOR COVES</b>	<b>REPAIR ACTION</b>
EXTERIOR CENTER SEAM SEAL BROKEN	REMOVE CENTER SEAM. CLEAN AND SEAL TOP OUTER SKIN SPLICE. REPLACE CENTER SEAM (WITH NEW, IF NECESSARY).
IMPROPERLY INSTALLED ACCESSORIES	REMOVE ACCESSORY AND INSTALL SEALER ON GASKET UNDER BRACKETS AND SCREWS
LOOSE SCREWS ALONG CANOPY TRACK	TIGHTEN AS NEEDED
<b>SYMPTOM: DELAMINATION OF TOP SKIN FROM STYROFOAM BASE</b>	<b>REPAIR ACTION</b>
EXTERIOR CENTER SEAM SEAL BROKEN	REPLACE TOP ASSEMBLY
<b>SYMPTOM: ONLY LEAKS WHEN TOP ASSEMBLY IS CLOSED</b>	<b>REPAIR ACTION</b>
TOP SEAL NOT MAKING CONTACT WITH BODY RAILS.	REPLACE SEAL. ADJUST TOP FOR PROPER SEAL.

**NOTE:** When locating water leaks, it is important to isolate problem area to determine what factors (screws, seams, accessories, etc.) would contribute to top assembly developing a leak.

**TOP ASSEMBLY LEAKS (ALUMINUM SKIN) TROUBLE SHOOTING GUIDE  
1968 TO PRESENT MODEL YEAR FOLDING TRAILERS**

**Page 2**

**AMERICANA TOP ASSEMBLY  
POTENTIAL LEAK LOCATIONS**



**TOP ASSEMBLY LEAKS (ALUMINUM SKIN) TROUBLE SHOOTING GUIDE  
1968 TO PRESENT MODEL YEAR FOLDING TRAILERS**

**Page 3**

**FOUR SEASON, PLANTATION, DESTINY, AND PIONEER TOP ASSEMBLY  
POTENTIAL LEAK LOCATIONS**

