

**FLEETWOOD FOLDING TRAILERS, INC.
INSTALLATION INSTRUCTIONS**

1968-598
November 2005

PART NUMBER: 4713-0541 Hand Pump Retrofit Kit

NOTE: This kit is designed to retrofit the low profile Leisure Components hand pump into units to replace Shurflo hand pumps that are no longer available.

This kit includes:

<u>Part Number</u>	<u>Qty.</u>	<u>Description</u>
	1	Hand Pump Assembly
1103E0608	6	½" Screw
4702-081	1	Mounting Plate
4737-848	3	5/8" Screw
4742-870	1	White Nylon Bushing
4746A542	1	Hold Down Assembly

IMPORTANT NOTICE

These instructions are for the use of qualified individuals specifically trained and experienced in the installation of this type equipment and related system components. Installation and service personnel are required by some states to be licensed. Persons not qualified shall not attempt to install this equipment nor interpret the instructions.

INSTALLATION INSTRUCTIONS

1. Remove the Shurflo hand pump. When disconnecting the waterlines, make certain that you know where each hose was connected to on the old hand pump.

NOTE: It may be helpful to mark the waterlines to help remember which fittings to reattach them to on the new hand pump. See figure 1.

2. Align the mounting plate (4702-081) included in this kit, over the existing hole in the countertop. See figure 2.
3. Secure the mounting plate (4702-081) to the countertop by using two ½" screws (1103E0608). Place one screw in the holes provided on each side of the hand pump opening.
4. Cut or file any exposed portion of the countertop that protrudes into the pump hole in the mounting plate to insure that the new pump will fit into the opening.

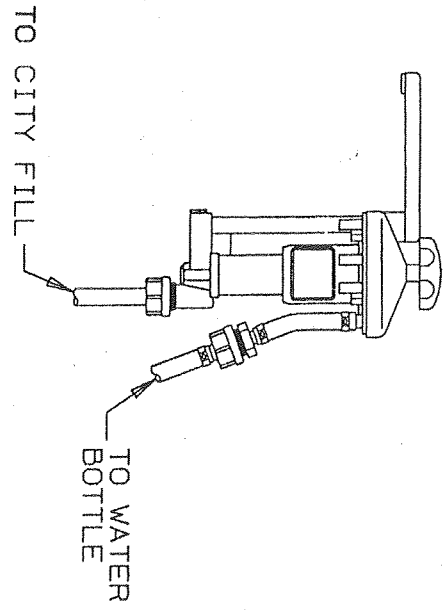
5. Using a 3/8" drill bit, drill a hole through the countertop at the larger hole in the upper right corner of the mounting plate for the pump hold down arm installation. See figure 2.
6. Attach the waterlines to the new hand pump. See figure 1.
7. Secure the hand pump to the mounting plate and countertop using four 1/2" screws (1103E0608).
8. Insert the white nylon bushing (4742-870) into the hole drilled in step 5.
9. Place the triangular shaped hold down bracket (4746A542) on the underside of the countertop. See figure 3.

NOTE: You may need to unscrew the hold down arm from the bracket first, prior to placing the bracket under the countertop.

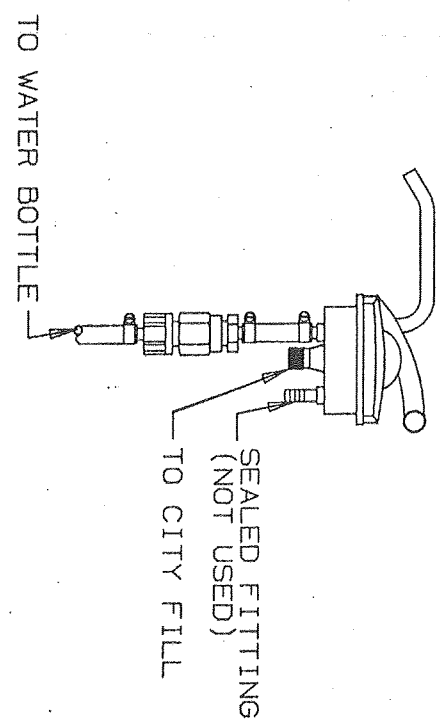
10. Insert the hold down arm down through the white nylon bushing installed in step 8. Screw the hold down arm into the threaded hole in the center of the hold down bracket. Use the three 5/8" screws (4737-848) to attach the bracket to the underside of the countertop. See figure 3.

FIGURE 1

OLD STYLE

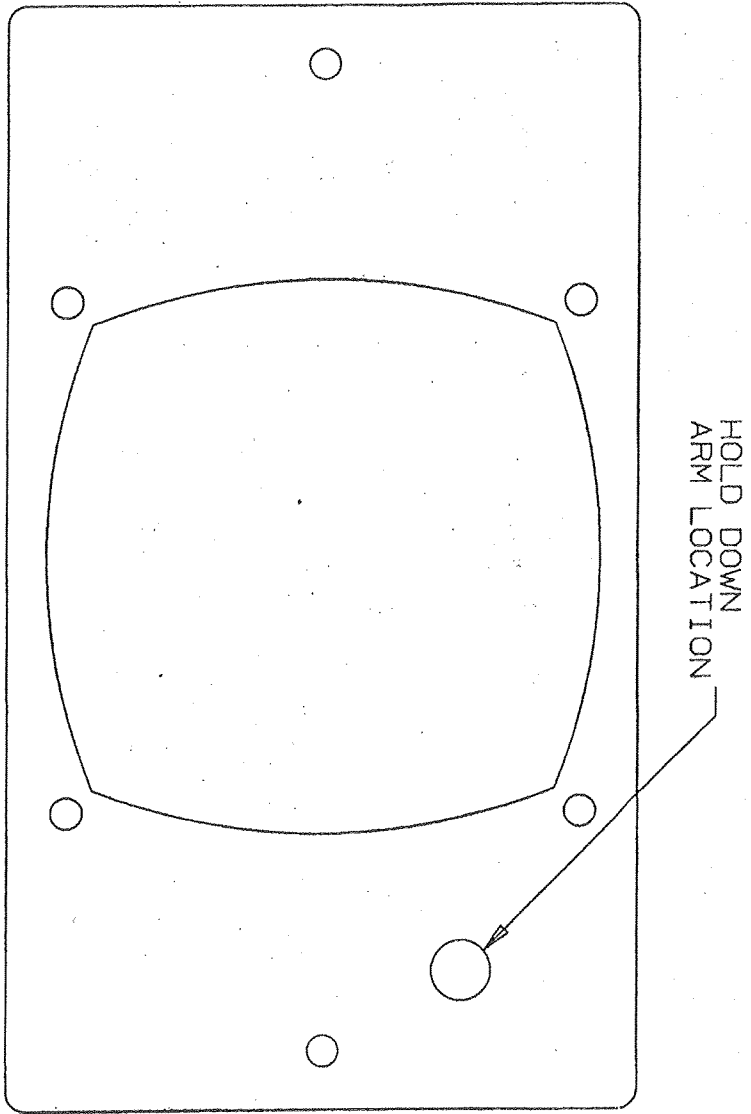


NEW STYLE



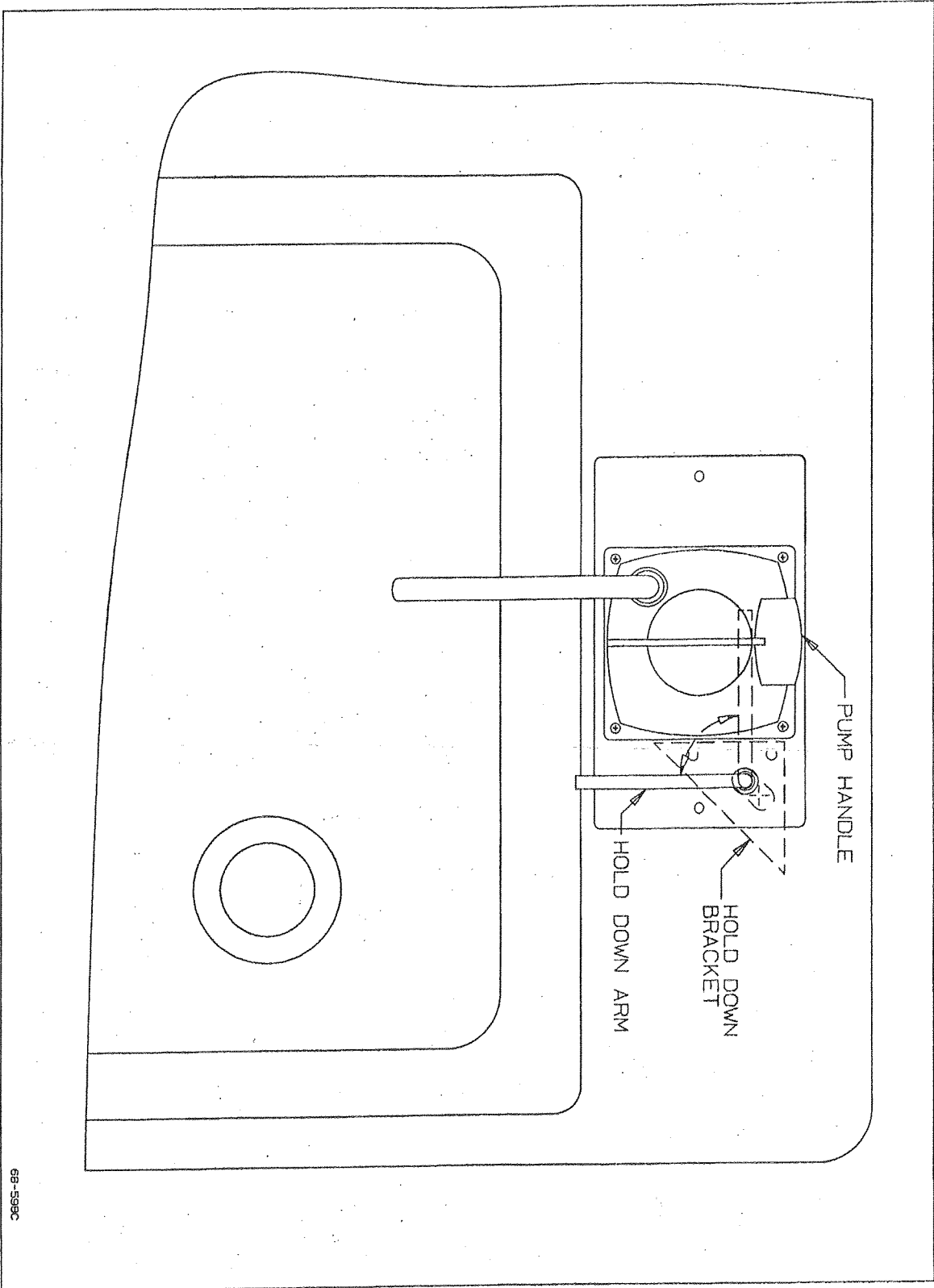
68-598A

FIGURE 2



68-5983

FIGURE 3



68-599C