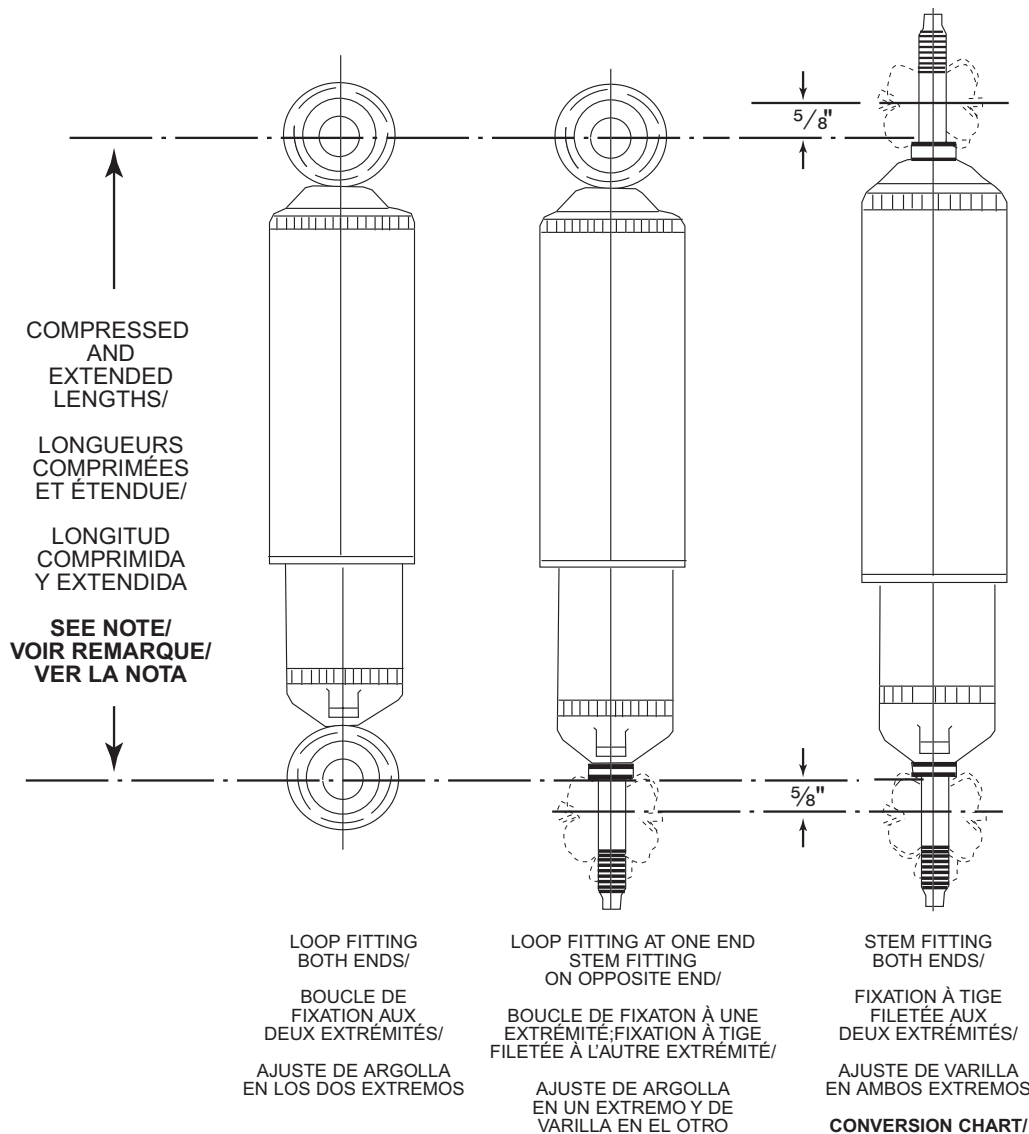


SHOCK ABSORBER LENGTH DIMENSIONING LONGUEUR DES AMORTISSEURS LONGITUD DE LOS AMORTIGUADORES



Special Construction - Construction not the same as standard shock mounts listed.
NOTE: Compressed and extended lengths listed in the following pages of this book are taken from the center of loops and/or from the stem shoulders.
 When measuring from the brackets on a vehicle, subtract 5/8" for each stem end.
 See illustrations above.

Fabrication spéciale - La fabrication des fixations est différente de celle des amortisseurs standard.

REMARQUE: Les longueurs en compression et en extension indiquées dans les pages suivantes sont mesurées entre les épaulements des tiges filetées et/ou le centre des boucles. Lors de la mesure à partir des ferrures, soustraire 5/8" pour chaque tige filetée. Voir les illustrations.

Fabricación especial - La fabricación es diferente a la de las series de los amortiguadores listadas.

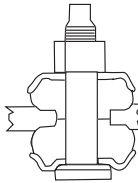
NOTA: Las longitudes comprimida y extendida listadas en las páginas siguientes de este libro, son tomadas desde el centro de las argollas y/o desde los resaltes de la varilla. Cuando se mide desde los ajustes, en un vehículo quite 5/8" por cada extremo de varilla. Ver ilustración arriba.

**CONVERSION CHART/
TABLEAU DE CONVERSION/
TABLA DE CONVERSIÓN**

Fraction/ Fractionnaire Fracción	Decimal/ Decimale Decimal (Inches/pouces/pulgadas)
1/8	.12
1/4	.25
3/8	.37
1/2	.50
5/8	.62
3/4	.75
7/8	.87
1	1.00

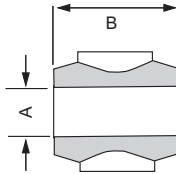
MOUNTING CODES

STEM



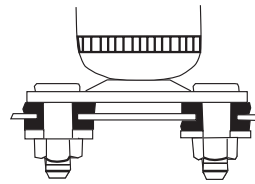
CODE	THREAD
S1	M10
S2	M12
S3	3/8 - 24
S4	3/8 - 16
S5	1/2 - 13
S6	5/8 - 11

LOOP MOUNTING



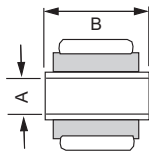
CODE	A	B
L1	5/8	1 5/16
L2	1 1/16	1 9/16
L3	3/4	1 9/16
L4	1	1 3/4
L5	1 1/4	2 9/16

STUD PLATE



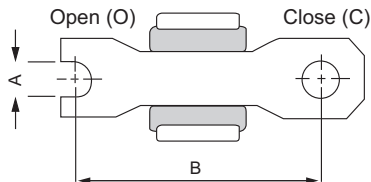
CODE SP

BUSHING & SLEEVE



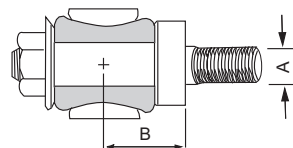
CODE	A	B	CODE	A	B	CODE	A	B	CODE	A	B
LS1	10MM	1 5/16	LS23	12MM	1 1/4	LS45	14MM	2 7/16	LS67	3/4	1 11/16
LS2	10MM	1	LS24	12MM	1 3/8	LS46	14MM	3 1/8	LS68	3/4	1 7/8
LS3	10MM	1 1/4	LS25	12MM	1 7/16	LS47	9/16	1 5/8	LS69	3/4	1 15/16
LS4	10MM	1 3/8	LS26	12MM	1 1/2	LS48	9/16	2 7/16	LS70	3/4	2 1/4
LS5	10MM	1 7/16	LS27	12MM	1 9/16	LS49	5/8/16MM	1 3/16	LS71	3/4	2 3/4
LS6	10MM	1 9/16	LS28	12MM	1 5/8	LS50	5/8/16MM	1 1/2	LS72	7/16	2
LS7	10MM	1 5/8	LS29	12MM	1 3/4	LS51	5/8/16MM	1 9/16	LS73	7/16	2 1/2
LS8	10MM	2	LS30	12MM	1 7/8	LS52	5/8/16MM	1 11/16	LS74	12MM	1 11/16
LS9	10MM	2 1/8	LS31	12MM	2	LS53	5/8/16MM	2	LS75	20MM	1 3/4
LS10	10MM	2 3/8	LS32	12MM	2 1/8	LS54	3/4	1 3/4	LS76	1/2	2 3/8
LS11	10MM	3	LS33	12MM	2 9/16	LS55	18MM	1 5/8	LS77	1/2	2 7/16
LS12	7/16	1 1/4	LS34	12MM	2 7/8	LS56	20MM	1 9/16	LS78	9/16	1 1/2
LS13	7/16	1 5/16	LS35	1/2	1 1/4	LS57	20MM	2	LS79	5/8/16MM	1 3/8
LS14	7/16	1 3/8	LS36	1/2	1 5/16	LS58	20MM	2 7/16	LS80	5/8/16MM	1 3/4
LS15	7/16	1 7/16	LS37	1/2	1 3/8	LS59	3/4	3 3/16	LS81	5/8/16MM	1 7/8
LS16	7/16	1 5/8	LS38	1/2	1 1/2	LS60	3/4	3 3/16	LS82	5/8/16MM	1 1/2
LS17	7/16	1 7/8	LS39	1/2	1 5/8	LS61	5/8/16MM	4	LS83	18MM	2
LS18	7/16	2 1/8	LS40	1/2	1 11/16	LS62	5/8/16MM	2 9/16	LS84	12MM	2 3/8
LS19	7/16	3 3/16	LS41	1/2	2 1/4	LS63	1/2	1 1/2	LS85	5/8/16MM	1 3/16
LS20	7/16	3 3/8	LS42	14MM	1 5/16	LS64	21MM	1 15/16	LS86	3/4	2 5/16
LS21	12MM	1	LS43	14MM	1 9/16	LS65	1	2			
LS22	12MM	1 1/8	LS44	14MM	1 7/8	LS66	3/4	1 3/8			

CROSS PIN MOUNTING



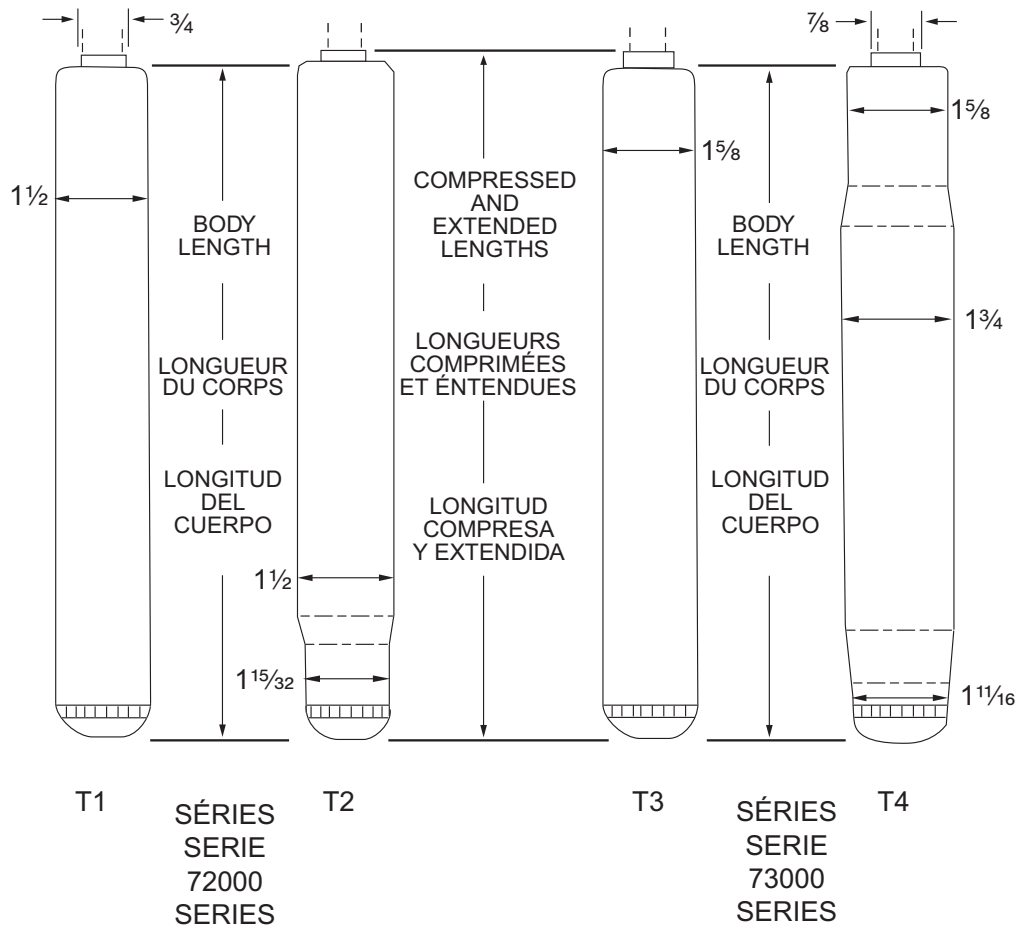
CODE	END	A	B	CODE	END	A	B
XP1	O	5/16	2 3/16	XP8	O	5/16	3
XP2	O	5/16	2 3/8	XP9	O	5/16	3 5/8
XP3	O	5/16	2 7/16	XP10	O	3/8	2 5/8
XP4	C	5/16	2 7/16	XP11	C	3/8	2 3/4
XP5	O	5/16	2 1/2	XP12	O	3/8	3 3/16
XP6	C	5/16	2 3/4	XP13	C	12MM	2 15/16
XP7	C	5/16	2 7/8				

CANTILEVER PIN MOUNTING

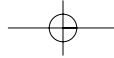


CODE	A	B
CP1	1/2	1 1/16
CP2	1/2	1 3/16
CP3	1/2	1 5/16
CP4	1/2	1 1/2
CP5	5/8	1 5/16

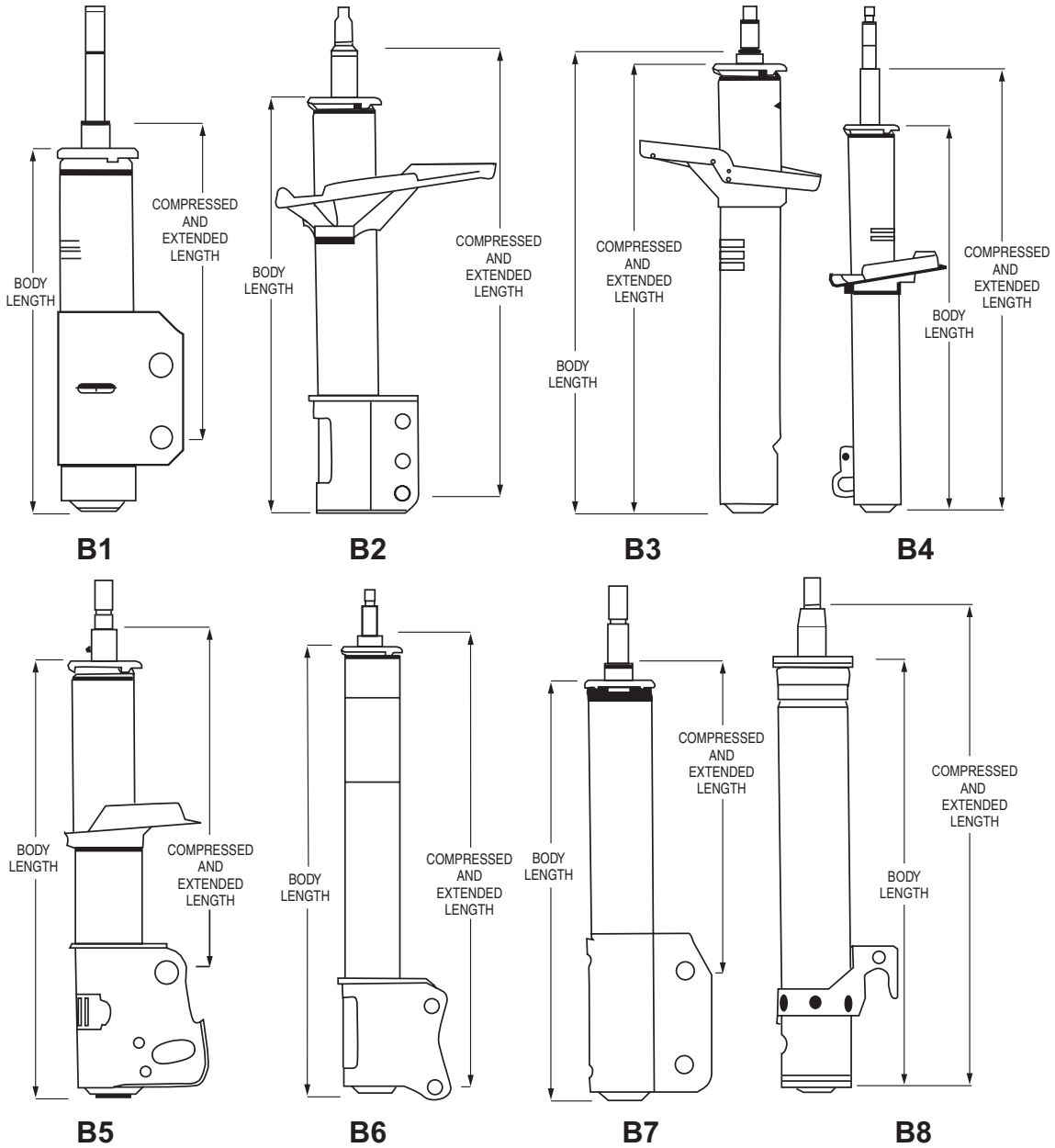
REPLACEMENT CARTRIDGE DIMENSIONING DIMENSION DE LA CARTOUCHE DE REMPLACEMENT DIMENSIONES DEL CARTUCHO DE REPUESTO



Product specifications shown in this catalog are subject to change without notice.
 Les données techniques des produits de ce catalogue peuvent être modifiées sans préavis.
 Las especificaciones de los productos en este catálogo están sujetas a cambio sin previo aviso.



MOUNTING & LENGTH CHARTS REPLACEMENT UNITS MONTAGE ET LONGUEUR DES UNITÉS DE REMPLACEMENT TABLAS DE MONTAJE Y LONGITUD DE LAS UNIDADES DE REPUESTO

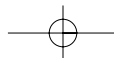


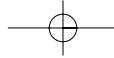
BODY LENGTH / LONGUEUR DU CORP / LONGITUD DEL CUERPO.

COMPRESSED AND EXTENDED LENGTH / LONGUEUR COMPRIMÉE ET ÉTENDUE / LONGITUD COMPRIMIDA Y EXTENDIDA.

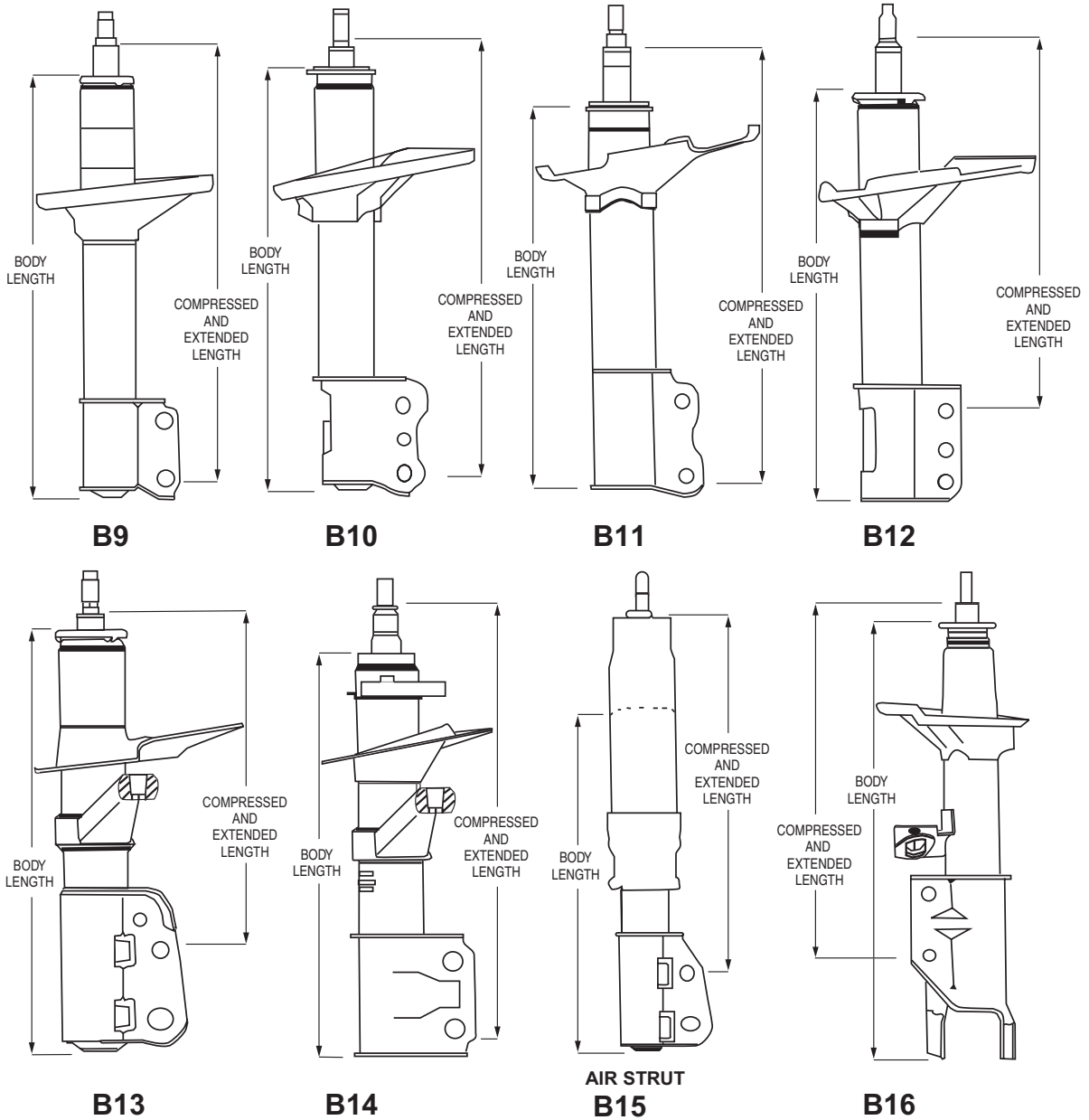
NOTE/NOTA:

All Piston Rod Ends are Designed Special For Each Application.
Chaque extrémité de tige de piston est conçue spécialement pour chaque application.
Todos los extremos de la varas del pistón están diseñadas especialmente para cada aplicación.





MOUNTING & LENGTH CHARTS REPLACEMENT UNITS
MONTAGE ET LONGUEUR DES UNITÉS DE REMPLACEMENT
TABLAS DE MONTAJE Y LONGITUD DE LAS UNIDADES DE REPUESTO



BODY LENGTH / LONGUEUR DU CORP / LONGITUD DEL CUERPO.

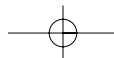
COMPRESSED AND EXTENDED LENGTH / LONGUEUR COMPRIMÉE ET ÉTENDUE / LONGITUD COMPRIMIDA Y EXTENDIDA.

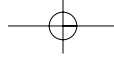
NOTE/NOTA:

All Piston Rod Ends are Designed Special For Each Application.

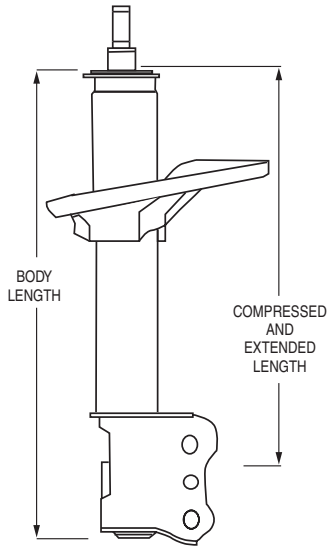
Chaque extrémité de tige de piston est conçue spécialement pour chaque application.

Todos los extremos de la varas del pistón están diseñadas especialmente para cada aplicación.

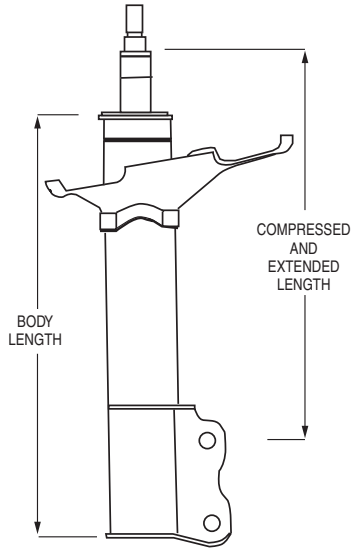




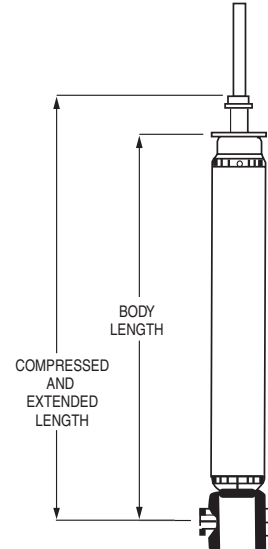
MOUNTING & LENGTH CHARTS REPLACEMENT UNITS MONTAGE ET LONGUEUR DES UNITÉS DE REMPLACEMENT TABLAS DE MONTAJE Y LONGITUD DE LAS UNIDADES DE REPUESTO



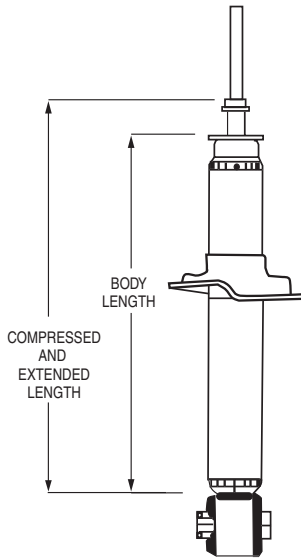
B17



B18

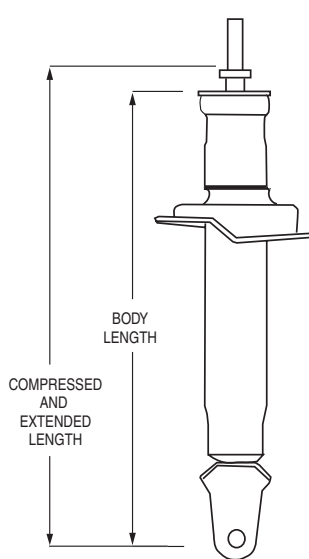


SS1



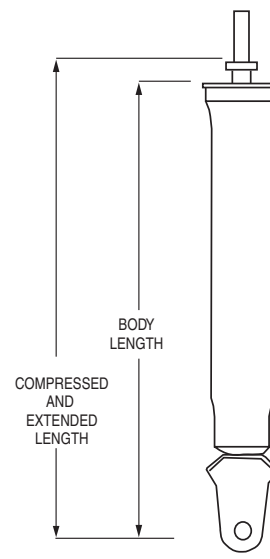
SS2

SS3 w/Dirt Shield Not Shown



SS4

SS5 w/Dirt Shield Not Shown



SS6

BODY LENGTH / LONGUEUR DU CORP / LONGITUD DEL CUERPO.

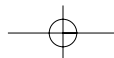
COMPRESSED AND EXTENDED LENGTH / LONGUEUR COMPRIMÉE ET ÉTENDUE / LONGITUD COMPRIMIDA Y EXTENDIDA.

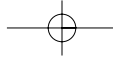
NOTE/NOTA:

All Piston Rod Ends are Designed Special For Each Application.

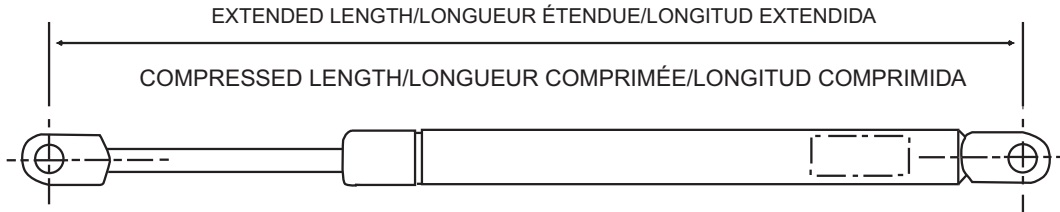
Chaque extrémité de tige de piston est conçue spécialement pour chaque application.

Todos los extremos de la varas del pistón están diseñadas especialmente para cada aplicación.

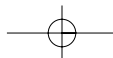
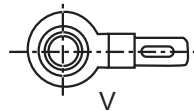
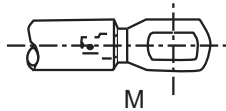
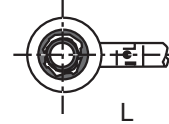
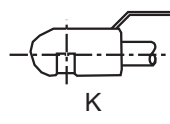
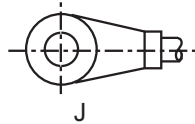
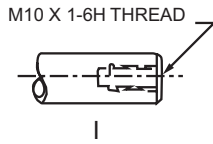
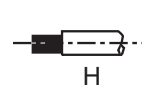
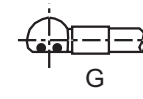
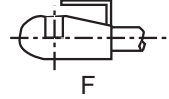
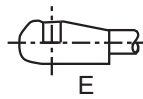
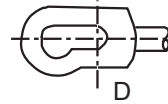
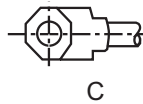
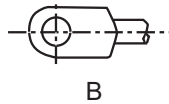
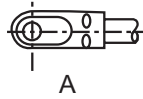




MAX-LIFT™
LENGTH DIMENSIONING
DIMENSIONS DE LA LONGUEUR
MEDIDAS DE LONGITUD



END MOUNTING CODES
CODES DE MONTAGE
CÓDIGOS DE MONTAJE



SHOCKS

PART NO.	MOUNTING		LENGTHS		Travel	DUST	PARTS
	Upper	Lower	Comp	Ext		SHIELD	PACK
SENSA-TRAC PASSENGER CAR SHOCKS							
5751	S4	S4	8.500	13.750	5.250	No	Two P1134
5752	L1	L1	8.625	12.750	4.125	Yes	None
5753	S4	L1	10.375	16.750	6.375	Yes	P1134
5754	S4	XP1	9.625	15.125	5.500	No	P1134
5756	S4	SP	10.000	15.500 +	5.500	No	P423 P1137
5757	L1/CP3	L1/CP3	14.000	23.625	9.625	Yes	P572 P576
5758	S4	S4	9.375	14.625 +	5.250	No	Two P1134
5759	S4	XP12	9.375	14.875	5.500	No	P1137
5760	L1	LS14	14.625	24.875	10.250	Yes	None
5761	S4	L2	11.750	19.000	7.250	Yes	P1135
5762	L2	XP5	10.625	15.250 +	4.625	No	None
5763	S3	LS37	9.875	14.750 +	4.875	No	P2
5764	LS23	L1	11.750	18.375 +	6.625	Yes	None
5765	SPEC	XP6	10.125	15.500	5.375	No	P2
5766	XP7	L1	12.875	21.125	8.250	Yes	None
5767	LS25	LS22	10.500	16.750	6.250	Yes	None
5768	S	SPEC	15.125	24.125	9.000	No	None
5769	S4	LS9	8.375	11.875 +	3.500	Yes	P1134
5770	S4	LS3	13.875 +	20.625 +	6.750	Yes	P1134
5771	XP7	S4	10.375	16.625	6.250	Yes	P1134
5772	S4	L2	12.625	20.750	8.125	Yes	P1135
5773	S4	LS37	10.125 +	13.000 +	2.875	No	P1135
5774	S4	LS27	16.000 +	21.000	5.000	Yes	P1137
5775	LS50	L2	13.375	19.750	6.375	Yes	None
5776	S1	LS5	13.125	22.000	8.875	Yes	None
5777	XP6	LS28	13.875	22.375	8.500	Yes	None
5778	S4	LS47	11.500	17.875	6.375	Yes	P1417
5779	LS29	LS47	10.500	16.125	5.625	Yes	None
5780	LS29	LS47	11.500	17.750	6.250	Yes	None
5783	S4	LS26	12.500	20.000	7.500	Yes	P1136 P1475
5784	S4	LS38	17.375	26.000	8.625	No	17110530
5786	S1	LS45	15.625	27.000	11.375	Yes	P01479
5787	S5	SPEC	15.000	21.500	6.500	No	None
5788	S5	SPEC	15.000	21.500	6.500	No	None
5794	S4	SPEC	14.380	24.200	6.070	Yes	None
5795	S1	SPEC	14.280	20.050	5.470	Yes	None
5796	S4	LS25	15.720	24.680	5.290	Yes	P1134
5797	S4	LS30	18.100	25.300	3.930	Yes	None
5799	SPEC	LS27	13.720	23.040	8.700	Yes	None
5801	S4	XP5	9.250	14.375	5.125	No	P1134
5802	XP7	L1/CP3	12.750	20.875	8.125	Yes	P576
5803	S4	L1/CP3	12.750	21.500	8.750	Yes	P576 P1134
5804	S4	XP4	8.625	13.375	4.750	No	P1134
5809	S4	SP	9.000	13.625 +	4.625	No	P423 P1136
5811	S4	LS15	8.000	12.250	4.250	No	P1134
5815	S4	LS19	8.750	13.250	4.500	No	P1134
5817	XP7	LS17	12.125	19.125 +	7.000	Yes	None
5818	S4	L1/CP3	11.625	19.375	7.750	Yes	P576 P1134
5819	S4	S4	9.250	14.125 +	4.875	Yes	Two P1134
5820	XP7	L1/CP3	14.125	24.000	9.875	Yes	P576
5821	S4	XP4	8.000	11.750 +	3.750	No	P1134
5823	S4	SP	8.625	12.625 +	4.000	No	P423 P1137
5826	S4	S4	10.125	16.375	6.250	Yes	Two P1134

+ Bumper Stop Unit. Dimension shown at Bumper Contact.

++ Hydraulic Lockout Unit. Dimension at Lockout Contact.

SHOCKS

PART NO.	MOUNTING		LENGTHS		Travel	DUST	PARTS
	Upper	Lower	Comp	Ext		SHIELD	PACK
SENSA-TRAC PASSENGER CAR SHOCKS							
5829	S4	S4	7.125	10.750	3.625	No	Two P1135
5831	XP7	S4	12.250	20.500	8.250	Yes	P1137
5837	LS39	S4	11.375	18.625	7.250	Yes	P1134
5839	S4	L1/CP3	11.125	18.125	7.000	Yes	P576 P1134
5840	S4	XP4	8.750	13.250	4.500	No	P1134
5843	LS48	LS47	10.000 +	12.875 +	2.875	Yes	None
5845	S4	LS26	12.250	20.125	7.875	Yes	P1136
5847	S4	L1/CP3	12.375	20.500	8.125	Yes	P576 P1136
5850	LS14	L1	9.500	14.000	4.500	Yes	None
5854	S4	L1	12.125	20.000 +	7.875	Yes	P1134
5861	S4	LS26	14.750	23.750	9.000	Yes	P1136
5864	LS7	LS7	13.250	21.625	8.375	Yes	None
5867	S4	L1/CP3	11.750	19.000	7.250	Yes	P576 P1134
5868	LS38	LS30	11.500	17.500 +	6.000	Yes	None
5870	S4	L1	14.250	23.875	9.625	Yes	P1137
5877	LS33	LS23	10.375	15.875	5.500	Yes	None
5879	S4	XP6	11.125	16.750 +	5.625	Yes	P1137
5881	S4	LS23	13.625	21.125 +	7.500	Yes	P1137
5882	S4	L1	13.625	21.125 +	7.500	Yes	P1137
5892	S4	XP7	10.500 +	13.750 +	3.250	Yes	P1134
5893	LS40	LS52	9.375	14.250	4.875	Yes	None
5896	S4	LS4	13.125	22.125	9.000	Yes	P1134
5897	S4	LS7	16.125	21.250	5.125	Yes	P1134
5900	S4	LS4	13.875	23.750	9.875	Yes	P1137
5906	S4	XP5	9.375	14.625	5.250	No	P1134
5910	LS39	LS30	11.250	16.750	5.500	Yes	None
5914	XP13	LS29	12.750	17.500	4.750	Yes	None
5921	XP7	LS4	8.750	12.375 +	3.625	Yes	None
5927	S4	L1/CP3	12.625	21.375	8.750	Yes	P576 P1137
5928	S4	LS83	14.375	24.000 +	9.625	No	P1134
5930	LS32	LS32	11.875	18.375	6.500	Yes	None
5931	XP7	LS14	18.875	21.250	2.375	Yes	P436
5936	S4	XP5	12.125	20.250	8.125	Yes	P941 P1136
5938	S4	XP5	11.500 +	15.000 +	3.500	Yes	P1134
5939	S4	LS52	9.625	14.875 +	5.250	Yes	P1134
5945	S4	LS23	13.000	21.375	8.375	Yes	P1137
5947	S1	LS74	14.375 +	21.750 +	7.375	Yes	P1180
5948	LS7	LS7	14.000	22.750 +	8.750	Yes	None
5950	S4	LS47	11.875	19.125 +	7.250	Yes	P1136
5951	LS10	LS3	10.250	15.750	5.500	Yes	None
5952	L2	L2	12.125	19.125 +	7.000	Yes	None
5955	XP7	L1/CP3	13.125	21.250 +	8.125	Yes	P576
5956	LS33	LS33	10.500	15.875 +	5.375	Yes	None
5959	LS7	LS7	13.375	21.500 +	8.125	Yes	None
5960	S4	XP4	9.125	13.750 +	4.625	Yes	P1136
5961	S4	L1/CP3	12.125	20.000 +	7.875	Yes	P576 P1136
5962	LS7	LS7	13.375	21.500 +	8.125	Yes	None
5965	S4	LS47	14.500 +	19.125 +	4.625	Yes	P1136
5966	XP7	L1/CP3	13.125	21.250 +	8.125	Yes	P576 P941
5967	S4	L1/CP3	12.125	19.625 +	7.500	Yes	P576 P1136
5968	S4	LS26	14.500 +	19.125 +	4.625	Yes	P1136
5969	S4	XP4	9.125	13.750 +	4.625	Yes	P1136
5970	S4	SPEC	11.375	18.625 +	7.250	Yes	P1180 P1181

+ Bumper Stop Unit. Dimension shown at Bumper Contact.

++ Hydraulic Lockout Unit. Dimension at Lockout Contact.

SHOCKS

PART NO.	MOUNTING		LENGTHS		Travel	DUST	PARTS
	Upper	Lower	Comp	Ext		SHIELD	PACK
SENSA-TRAC PASSENGER CAR SHOCKS							
5974	S1	LS74	15.125	24.000 +	8.875	Yes	17110294
5975	S1	LS43	10.500	17.000	6.500	Yes	17110308
5976	S1	L1	10.250	14.250 +	4.000	Yes	17110012
5977	S1	LS31	11.625	17.750	6.125	Yes	P260
5978	LS32	LS83	12.125	19.125 +	7.000	Yes	None
5979	LS32	LS83	12.125	19.125 +	7.000	Yes	None
5980	S1	LS27	14.000 +	21.000 +	7.000	Yes	17110409
5981	S1	LS27	14.375	23.625 +	9.250	No	17110294
5982	S1	LS27	14.000 +	21.500 +	7.500	Yes	17110409
5983	S4	LS5	13.750	21.750 +	8.000	Yes	P1136
5985	SPEC	LS25	16.750	25.000 +	8.250	No	17110530
5986	LS74	LS25	12.875 +	17.875 +	5.000	Yes	None
5987	S1	LS26	16.000	26.250 +	10.250	No	17110615
5988	S1	LS27	14.375	24.125 +	9.750	No	17110294
5989	LS33	LS28	11.750	18.125 +	6.375	Yes	None
5990	S1	SPEC	14.625	21.125 +	6.500	No	P1101
5991	S1	LS5	13.250	21.875 +	8.625	Yes	17110404
5992	S1	LS48	15.375	24.500 +	9.125	No	17110507
5993	S4	LS74	12.500	21.250 +	8.750	Yes	P1136
5994	S4	LS74	12.500	20.250 +	7.750	Yes	P1136
5995	S4	LS74	12.500	20.250 +	7.750	Yes	P1136
5996	S1	LS7	16.875	25.125	8.250	No	17110497
5997	LS6	LS43	13.375	20.250	6.875	Yes	None
5998	S1	LS27	14.625	23.500	8.875	No	17110294
5999	S1	LS31	13.750	21.000	7.250	Yes	None
MONRO-MATIC PLUS SHOCKS							
31000	L1	L1	12.000	19.500	7.500	Yes	P411
31029	S4	L1	9.625	15.375	5.750	Yes	P1134
31069	S4	S4	10.750	17.250 +	6.500	Yes	Two P1134
31089	LS23	LS23	10.375	16.250	5.875	Yes	P110
31094	L1	L1	12.000	19.000	7.000	Yes	None
31125	S4	S4	12.250	20.750	8.500	Yes	Two P1137
31131	L2	L2	14.125	23.375	9.250	Yes	None
31162	L1	S4	11.875	19.375	7.500	Yes	P1137
31163	S4	L1	14.250	23.875 +	9.625	Yes	P1137
31176	S4	S4	7.125	10.625	3.500	No	Two P1135
31538	S4	LS23	14.125 +	16.750 +	2.625	Yes	P124 P1137
31542	LS23	LS30	10.375	16.250	5.875	Yes	None
32022	S4	LS12	9.875	15.750	5.875	Yes	P1134
32066	S4	XP5	9.250	14.500	5.250	No	P1134
32067	S4	LS19	8.625	13.375	4.750	No	P1134
32073	LS39	L2	13.625	22.500	8.875	Yes	None
32075	S4	LS38	10.625	15.875 +	5.250	No	P1135
32080	S4	LS38	12.375	19.750	7.375	Yes	P1134
32103	L1/CP3	S4	11.500	17.875 +	6.375	Yes	P576 P1135
32112	XP7	S4	12.250	20.375	8.125	Yes	P1137
32113	S4	LS23	8.875	13.750	4.875	Yes	P1134
32118	S4	LS20	8.375 +	11.000 +	2.625	No	P1135
32126	S4	L1/CP3	11.750	19.375	7.625	Yes	P576 P1134
32127	S4	XP8	8.625	13.250	4.625	No	P1135
32128	LS39	L2	15.625	26.250	10.625	Yes	None
32132	S4	XP4	8.625	13.375	4.750	No	P1134
32134	S4	LS18	8.125	12.125	4.000	No	P1134

+ Bumper Stop Unit. Dimension shown at Bumper Contact.

++ Hydraulic Lockout Unit. Dimension at Lockout Contact.

SHOCKS

PART NO.	MOUNTING		LENGTHS		Travel	DUST	PARTS
	Upper	Lower	Comp	Ext		SHIELD	PACK
MONRO-MATIC PLUS SHOCKS							
32143	S4	LS14	11.625	19.250	7.625	Yes	P436 P1134
32150	S4	LS38	9.875	14.375 +	4.500	Yes	P1135
32151	LS39	S4	11.250	18.500	7.250	Yes	P1134
32153	S4	LS7	10.250	15.500 +	5.250	Yes	P1137
32162	S4	LS26	14.125	23.625 +	9.500	Yes	P1136
32164	L1	LS38	12.875	21.375	8.500	Yes	P826
32165	S4	XP12	12.500	21.000	8.500	Yes	P1134
32186	XP7	LS47	14.500	24.000	9.500	Yes	None
32191	S4	LS17	10.250	16.500	6.250	Yes	P1135
32193	S4	LS42	15.250 +	21.125 +	5.875	Yes	P1137
32194	LS39	LS39	11.500	16.500 +	5.000	Yes	None
32196	S4	XP4	12.500	19.875 +	7.375	Yes	P1136
32197	XP12	L1	12.375	20.375	8.000	Yes	None
32198	S4	LS4	13.000	22.125	9.125	Yes	P1134
32201	S4	LS33	15.875 +	23.000	7.125	Yes	P1137
32202	S4	LS26	12.125	19.750 +	7.625	Yes	P1136
32203	S4	LS2	13.875 +	19.000 +	5.125	Yes	P1137
32205	XP7	LS14	12.875	21.375	8.500	Yes	P436
32206	S4	LS23	8.375	12.500	4.125	Yes	P1137
32207	L1	L1	11.250	17.875	6.625	Yes	P411
32211	L1	LS26	11.750	18.000 +	6.250	Yes	None
32212	LS74	LS74	13.875	22.875	9.000	Yes	None
32214	S4	XP2	8.625	13.000	4.375	No	P1135
32215	XP8	LS39	13.750	22.750	9.000	Yes	None
32216	S4	SPEC	8.500	12.875 +	4.375	No	P423 P840
32217	S4	LS23	9.250	14.375	5.125	Yes	P1134
32219	S4	LS38	15.500 +	23.875 +	8.375	Yes	P1135
32220	L1	LS38	11.625	18.250	6.625	Yes	None
32221	S4	LS27	9.125	13.750 +	4.625	Yes	P1134
32222	L3	LS27	14.500	24.000 +	9.500	Yes	P867
32223	S4	LS30	14.250 +	19.625 +	5.375	Yes	P1134
32224	S4	XP5	9.500	14.000	4.500	Yes	P1134
32225	XP7	LS47	16.375	26.750 +	10.375	Yes	None
32226	S4	LS26	10.500	15.875 +	5.375	Yes	P1135
32227	S4	LS26	9.625	14.750 +	5.125	Yes	P1135
32228	L1	LS26	12.875	21.375	8.500	Yes	P570
32230	LS28	LS26	11.875	18.125 +	6.250	Yes	None
32231	L1	LS26	13.375	22.875	9.500	Yes	None
32233	LS28	LS28	11.750	18.000 +	6.250	Yes	None
32235	S4	L1	9.250	14.000 +	4.750	Yes	P1135
32237	L1	LS26	13.875	22.875	9.000	Yes	P827
32238	L1	LS26	15.375	26.375	11.000	Yes	P827
32239	L1	LS26	15.125	25.750	10.625	Yes	None
32242	LS26	LS26	12.625	18.125	5.500	Yes	None
32243	S4	LS26	9.250	14.000 +	4.750	Yes	P1135
32245	S4	LS82	8.750	13.500	4.750	Yes	P1134
32246	S4	LS23	10.250	16.375	6.125	Yes	P1134
32247	L3	L3	13.625	21.625 +	8.000	Yes	P575
32248	S4	L3	12.875	20.875 +	8.000	Yes	P81 P1134
32249	S4	LS23	9.375	14.625	5.250	Yes	P1134
32250	S4	LS37	9.625	14.875	5.250	No	P1135
32251	XP8	LS39	15.500	25.875	10.375	Yes	None
32252	S4	XP4	13.000	21.125 +	8.125	Yes	P1136

+ Bumper Stop Unit. Dimension shown at Bumper Contact.

++ Hydraulic Lockout Unit. Dimension at Lockout Contact.

SHOCKS

PART NO.	MOUNTING		LENGTHS		Travel	DUST	PARTS
	Upper	Lower	Comp	Ext		SHIELD	PACK
MONRO-MATIC PLUS SHOCKS							
32253	XP7	LS26	15.000	25.250	10.250	Yes	P941
32254	LS77	LS39	11.000	16.375 +	5.375	Yes	None
32255	S4	XP5	9.750	15.125 +	5.375	Yes	P1135
32258	S4	XP1	8.625	13.375	4.750	Yes	P1134
32259	S4	L1	9.375	14.250 +	4.875	Yes	P1135
32260	S4	LS26	12.250	20.625	8.375	Yes	P1135
32261	S4	LS23	9.500	14.375	4.875	Yes	P1137
32262	S4	S4	10.875	18.000	7.125	Yes	Two P1137
32263	LS77	LS39	11.375	16.500 +	5.125	Yes	None
32264	XP7	LS47	14.000	22.625 +	8.625	Yes	P941
32265	XP7	LS47	14.875	24.000 +	9.125	Yes	None
32266	XP7	LS47	15.500	25.375 +	9.875	Yes	None
32267	S4	L1	9.875	14.625 +	4.750	Yes	P1135
32268	S4	LS26	13.125	21.750	8.625	Yes	P1135
32269	L1	LS25	13.375	21.500 +	8.125	Yes	None
32270	L1	L1	15.125	25.000	9.875	Yes	None
32271	S4	LS23	10.250	15.375	5.125	Yes	P1134
32272	LS78	L3	12.625	19.750 +	7.125	Yes	P120
32273	S4	LS24	9.125	13.625	4.500	Yes	P1134
32274	S4	LS82	11.750	18.125 +	6.375	Yes	P1134
32275	LS27	LS26	10.500	15.750 +	5.250	Yes	None
32277	S5	LS47	9.500	13.750 +	4.250	Yes	P1167
32278	LS47	LS47	15.500	24.625	9.125	Yes	None
32279	S5	LS47	13.875	21.750++	7.875	Yes	P1167
32280	S4	LS26	10.125	15.000 +	4.875	Yes	P1135
32281	L1	LS38	14.000	23.000	9.000	Yes	None
32282	L3	LS38	12.625	18.625 +	6.000	Yes	P120
32283	L3	L3	13.125	21.000	7.875	Yes	P575
32284	S4	LS38	13.875	22.750	8.875	Yes	P1136
32285	S4	LS38	11.250	16.750 +	5.500	Yes	P1135
32286	S4	S4	13.500	22.125 +	8.625	Yes	Two P1137
32287	S4	L3	13.250	21.500	8.250	Yes	P122 P1134
32288	LS26	LS26	14.125	22.375 +	8.250	Yes	None
32290	LS28	LS28	11.250	17.125 +	5.875	Yes	None
32292	S4	XP5	9.375	14.500	5.125	No	P1134
32293	L1	L1	12.000	19.000 +	7.000	Yes	None
32294	L3	L3	12.875	20.375 +	7.500	Yes	P575
32295	L3	L3	12.500	19.625 +	7.125	Yes	P575
32296	S4	XP4	13.500	17.875 +	4.375	Yes	P941 P1135
32297	S4	LS7	16.000 +	20.750 +	4.750	Yes	None
32298	S4	SPEC	11.375	18.625 +	7.250	Yes	P1180 P1181
32299	S4	SPEC	15.000 +	21.000	6.000	Yes	P864 P1136
32300	S4	XP4	8.375	12.750	4.375	No	P1134
32301	LS37	LS37	11.875	18.250	6.375	Yes	P816
32302	S5	XP5	10.250	15.000 +	4.750	Yes	P1167
32303	S4	LS26	13.875	23.750	9.875	Yes	P1135
32304	S4	LS39	9.875	14.250 +	4.375	Yes	P1136
32305	S4	LS26	15.625	27.250	11.625	Yes	P1136
32306	XP12	LS37	12.500	19.625 +	7.125	Yes	None
32308	L3	LS43	14.750	23.625 +	8.875	Yes	P867
32309	L3	LS43	13.375	21.250 +	7.875	Yes	P867
32311	LS30	L1	9.875	14.750 +	4.875	Yes	None
32314	L1	LS82	12.000	19.625	7.625	Yes	None

+ Bumper Stop Unit. Dimension shown at Bumper Contact.

++ Hydraulic Lockout Unit. Dimension at Lockout Contact.

SHOCKS

PART NO.	MOUNTING		LENGTHS		Travel	DUST	PARTS
	Upper	Lower	Comp	Ext		SHIELD	PACK
MONRO-MATIC PLUS SHOCKS							
32315	S4	LS22	13.000	21.500 +	8.500	Yes	P1134
32316	S4	LS26	11.500	18.250 +	6.750	Yes	P1134
32317	S4	XP4	9.125	13.750 +	4.625	Yes	P1136
32318	S4	XP5	8.500	13.000	4.500	No	P1135
32319	LS28	LS28	14.500	22.750 +	8.250	Yes	None
32321	LS28	LS28	15.250	24.625 +	9.375	Yes	None
32322	LS26	LS26	13.750	21.750 +	8.000	Yes	None
32323	LS26	LS26	14.375	23.125 +	8.750	Yes	None
32324	S4	LS43	14.250	23.875	9.625	Yes	P1135
32325	S4	LS43	16.125	27.375	11.250	Yes	P1136
32326	S4	XP5	10.375	14.375 +	4.000	Yes	P1135
32327	LS47	LS47	15.625	23.875 +	8.250	Yes	None
32328	S4	SPEC	10.375	15.000 +	4.625	Yes	P1135
32329	LS47	LS47	15.375	25.500 +	10.125	Yes	None
32330	S4	XP5	10.375	13.625 +	3.250	Yes	P1135
32332	LS26	LS26	14.125	20.125 +	6.000	Yes	None
32333	LS26	LS26	12.500	20.125 +	7.625	Yes	None
32334	S4	L3	12.375	20.000 +	7.625	Yes	P81 P1134
32335	LS52	LS30	14.375	23.125 +	8.750	Yes	None
32336	S4	LS23	9.625	15.000 +	5.375	Yes	P1134
32337	S4	LS78	11.625	18.625 +	7.000	Yes	P1134
32338	S4	XP4	13.000	21.125 +	8.125	Yes	P941 P1136
32339	LS29	LS25	13.375	21.750 +	8.375	Yes	None
32340	S5	XP5	10.250	15.000 +	4.750	Yes	P1167
32341	LS47	LS47	16.000	26.125 +	10.125	Yes	None
32344	LS47	LS47	14.375	23.000 +	8.625	Yes	None
32345	LS47	LS47	15.000	24.000 +	9.000	Yes	None
32346	S4	XP5	11.500	17.875 +	6.375	Yes	P941 P1135
32347	S4	SPEC	10.875	15.375 +	4.500	Yes	P1135
32348	LS47	LS47	14.750	23.500 +	8.750	Yes	None
32350	S5	LS42	10.250	15.125 +	4.875	Yes	P1167
32355	LS26	LS26	11.875	15.875	4.000	B	None
32356	S5	L1	10.125	15.000 +	4.875	Yes	P1167
32357	L1	LS26	16.625	28.250	11.625	Yes	None
32358	L1	LS26	14.250	22.875 +	8.625	Yes	None
32359	L1	LS26	18.250	31.000	12.750	Yes	None
32360	L1	LS26	12.750	20.375	7.625	Yes	None
32361	L1	LS36	10.625	16.000	5.375	Yes	P19
32362	S4	XP5	9.625	14.000 +	4.375	No	P1134
32363	LS48	LS54	14.500	22.750 +	8.250	Yes	None
32364	LS39	L2	16.875	28.375	11.500	Yes	None
32365	LS47	LS47	16.000	26.125	10.125	Yes	None
32366	S5	LS47	14.250	22.250++	8.000	Yes	P1167
32367	LS39	LS40	15.125	24.625 +	9.500	Yes	None
32368	S4	S4	14.250	23.250 +	9.000	Yes	Two P1135
32369	S4	L3	14.500	23.250 +	8.750	Yes	P120 P1135
32370	L1	L1	16.250	27.250	11.000	Yes	None
32371	S4	XP8	9.250	13.625	4.375	No	P1135
32372	L1	LS26	13.875	22.250 +	8.375	No	None
32373	LS77	LS39	11.375	15.875++	4.500	Yes	None
32374	LS37	LS37	14.125	22.750	8.625	Yes	None
32375	LS39	L2	15.750	26.250	10.500	Yes	None
32376	S4	XP8	10.000	15.500	5.500	No	P1135

+ Bumper Stop Unit. Dimension shown at Bumper Contact.

++ Hydraulic Lockout Unit. Dimension at Lockout Contact.

SHOCKS

PART NO.	MOUNTING		LENGTHS		Travel	DUST	PARTS
	Upper	Lower	Comp	Ext		SHIELD	PACK
MONRO-MATIC PLUS SHOCKS							
32377	L1	L1	12.625	19.750	7.125	Yes	None
32378	S4	LS38	13.250	21.250 +	8.000	Yes	P1135
32379	LS37	LS39	11.750	18.250	6.500	Yes	P816
32380	LS47	LS47	15.625	26.125	10.500	Yes	None
32381	S4	L1	11.500	18.375	6.875	Yes	P1135
32382	S4	LS26	11.500	18.500	7.000	Yes	P864 P1135
32383	S4	XP5	9.375	14.500	5.125	Yes	P1134
32384	LS47	LS47	14.250	23.000	8.750	Yes	None
32385	LS39	L2	14.875	24.375	9.500	Yes	None
32386	L1	LS26	16.000	26.375	10.375	Yes	None
32388	S4	LS23	8.750	13.375	4.625	Yes	P1134
32389	L1	LS82	13.375	20.750 +	7.375	Yes	None
32390	S5	XP12	9.875	14.250 +	4.375	Yes	P1167
32391	LS47	LS47	16.000	26.500	10.500	Yes	None
32392	S5	LS47	10.750	15.875 +	5.125	Yes	P1167
32393	XP7	LS26	15.250	25.125	9.875	Yes	None
32394	L1	LS26	13.875	21.875 +	8.000	Yes	None
32395	XP7	LS26	16.875	28.250	11.375	Yes	None
32400	S5	XP12	11.000	16.375	5.375	Yes	P1167
32401	LS47	LS47	16.500	27.500	11.000	Yes	None
32402	S5	LS47	14.500	22.750	8.250	Yes	P1167
32545	LS23	LS23	13.625	22.750	9.125	Yes	P110
32592	LS27	LS27	10.625	16.250 +	5.625	Yes	P110
33033	L1	LS26	10.125	14.625	4.500	Yes	P19
33049	S4	L1/CP3	12.625	21.250	8.625	Yes	P576 P1134
33050	XP7	L1/CP3	14.125	23.875	9.750	Yes	P576
33053	S4	SP	9.125	13.625 +	4.500	No	P423 P1136
33059	XP5	SP	9.500	14.250 +	4.750	No	P423
33074	LS37	LS37	11.875	18.250	6.375	Yes	P816
33076	LS37	LS37	10.000	14.625	4.625	Yes	None
33082	XP7	L1	8.625	20.75	4.750	No	P1134
33084	L1/CP5	LS47	14.125	22.875	8.750	Yes	P19
33086	LS40	LS40	12.875	21.000	8.125	Yes	None
33090	LS33	LS23	10.375	15.875	5.500	Yes	None
33095	LS7	LS7	13.375	21.500 +	8.125	Yes	None
33097	S4	L1/CP3	12.250	20.375	8.125	Yes	P576 P1136
33100	LS48	LS47	10.250 +	12.750 +	2.500	Yes	None
33101	LS47	LS47	13.125 +	16.250 +	3.125	Yes	None
33102	XP7	LS4	8.750	12.375 +	3.625	Yes	None
33104	S4	XP7	10.500 +	13.875 +	3.375	Yes	P1134
33108	S4	LS7	16.125 +	21.250 +	5.125	Yes	P1134
33115	LS40	LS52	9.500	14.375	4.875	Yes	None
33116	S4	LS23	13.000	21.375	8.375	Yes	P1137
33121	LS14	L1	9.375	14.375	5.000	Yes	None
33122	S4	L1/CP3	11.625	18.750 +	7.125	Yes	P576 P1134
33123	S4	XP5	9.250	14.625	5.375	No	P1134
33124	S4	L1/CP3	12.625	21.375	8.750	Yes	P576 P1137
33125	S4	LS83	14.375	24.000	9.625	No	P1134
33126	LS32	LS32	11.875	18.375 +	6.500	Yes	None
33127	S4	XP4	9.125	13.750 +	4.625	Yes	P1136
33128	S4	L1/CP3	12.125	19.500 +	7.375	Yes	P576 P1136
33129	S4	XP5	12.125	20.375	8.250	Yes	P941 P1136
33130	S4	LS27	14.500 +	21.750 +	7.250	Yes	P1180

+ Bumper Stop Unit. Dimension shown at Bumper Contact.

++ Hydraulic Lockout Unit. Dimension at Lockout Contact.

SHOCKS

PART NO.	MOUNTING		LENGTHS		Travel	DUST	PARTS
	Upper	Lower	Comp	Ext		SHIELD	PACK
MONRO-MATIC PLUS SHOCKS							
33131	LS7	LS7	14.000	22.750 +	8.750	Yes	None
33132	S4	LS47	11.875	19.125 +	7.250	Yes	P1136
33133	LS10	LS3	10.250	15.750	5.500	Yes	None
33134	S4	LS47	14.500 +	19.125 +	4.625	Yes	P1136
33135	XP7	L1CP3	13.125	21.250 +	8.125	Yes	P567 P941
33136	S4	L1CP3	12.125	19.500 +	7.375	Yes	P576 P1136
33137	S4	LS26	14.500 +	19.125 +	4.625	Yes	P1136
33272	S4	LS23	14.750 +	20.875	6.125	Yes	P1137
33273	LS38	LS30	12.250	17.375 +	5.125	Yes	None
GAS MAGNUM SHOCKS							
34501	S4	SPEC	10.875	15.250 +	4.375	Yes	P1135
34504	S5	LS37	10.375	15.125 +	4.750	Yes	P1167
34514	S5	XP10	9.875	14.250 +	4.375	Yes	P1167
34515	LS47	LS47	16.000	26.500	10.500	Yes	None
34516	S5	LS47	10.750	15.875 +	5.125	Yes	P1167
34517	XP7	LS26	15.250	25.125	9.875	Yes	None
34518	L1	LS26	13.750	21.875 +	8.125	Yes	None
34519	XP7	LS26	16.750	28.250	11.500	Yes	None
34520	S5	SP12	11.000	16.375 +	5.375	Yes	P1167
34521	LS47	LS47	16.500	27.500	11.000	Yes	None
34522	S5	LS47	14.500	22.750 +	8.250	Yes	P1167
34523	S5	LS47	13.625	20.750	7.125	Yes	P1167
34524	LS49	LS26	14.750	24.750	10.000	Yes	None
34655	S5	XP5	10.250	14.875 +	4.625	Yes	P1167
34656	S4	LS26	14.375	24.250	9.875	Yes	P1135
34657	S4	S3	10.000	14.250 +	4.250	Yes	P1135
34658	S4	LS26	16.000	27.500	11.500	Yes	P1135
34671	LS26	LS26	13.625	21.625 +	8.000	Yes	None
34672	LS26	LS26	14.250	23.000 +	8.750	Yes	None
34673	S4	LS43	14.250	23.875	9.625	Yes	P1135
34674	S4	LS43	16.125	27.375	11.250	Yes	P1135
34675	S4	XP5	10.375	14.375	4.000	Yes	P1135
34676	LS47	LS47	15.500	23.750 +	8.250	Yes	None
34677	S4	SPEC	11.000	15.125 +	4.125	Yes	P1135
34678	LS47	LS47	16.750	25.500 +	8.750	Yes	None
34681	LS26	LS26	14.000	20.125 +	6.125	Yes	None
34684	S5	L1	10.125	15.000 +	4.875	Yes	P1167
34685	L1	LS26	16.500	28.250	11.750	Yes	None
34686	L1	LS26	14.250	22.875 +	8.625	Yes	None
34687	L1	LS26	18.000	31.000	13.000	Yes	None
34689	S5	XP5	10.250	15.000 +	4.750	Yes	P1167
34690	LS47	LS47	16.000	26.000 +	10.000	Yes	None
34692	LS47	LS47	14.750	23.500 +	8.750	Yes	None
34693	LS47	LS47	14.375	23.000 +	8.625	Yes	None
34694	LS47	LS47	15.000	24.125 +	9.125	Yes	None
34729	S4	LS26	10.000	14.625 +	4.625	Yes	P1135
34730	S4	LS26	10.500	15.875	5.375	Yes	P1135
34731	L1	LS26	12.750	20.500	7.750	Yes	None
34732	LS26	LS26	14.000	22.500 +	8.500	Yes	None
34733	LS26	L1	16.375	27.250	10.875	Yes	None
34736	L1/CP1	S3	10.375	16.000	5.625	Yes	P19
34741	S4	XP5	9.625	14.000 +	4.375	No	P1134
34750	S4	XP8	8.875	13.375	4.500	No	P1135

+ Bumper Stop Unit. Dimension shown at Bumper Contact.

++ Hydraulic Lockout Unit. Dimension at Lockout Contact.

SHOCKS

PART NO.	MOUNTING		LENGTHS		Travel	DUST	PARTS
	Upper	Lower	Comp	Ext		SHIELD	PACK
GAS MAGNUM SHOCKS							
34755	S4	LS54	14.500	22.750 +	8.250	Yes	None
34756	XP5	S4	14.000	22.750 +	8.750	Yes	None
34759	S4	LS26	12.500	19.875 +	7.375	Yes	P1135
34760	S4	L1	9.875	14.625 +	4.750	Yes	P1135
34761	S4	LS26	13.125	21.750	8.625	Yes	P1135
34762	XP7	LS47	13.875"	22.500 +	8.625	Yes	None
34763	XP7	LS47	14.625	23.875 +	9.250	Yes	None
34767	XP7	LS47	15.250	25.250 +	10.000	Yes	None
34771	S3	L2	16.625	28.500	11.875	Yes	None
34776	S5	S4	9.500	13.750 +	4.250	Yes	P1167
34777	LS47	LS47	15.375	24.625	9.250	Yes	None
34778	S5	S4	13.875	21.750++	7.875	Yes	P1167
34781	LS47	LS47	15.750	26.125	10.375	Yes	None
34782	S5	S4	14.375	22.750++	8.375	Yes	P1167
34783	S3	S4	15.125	24.625 +	9.500	Yes	None
34787	S5	S5	14.250	23.250 +	9.000	Yes	Two P1167
34788	S4	L3	14.375	23.250 +	8.875	Yes	P120 P1135
34791	L1	L1	16.125	27.250	11.125	Yes	None
34792	S4	S4	11.500	18.875 +	7.375	Yes	Two P1134
34793	S4	LS26	10.125	15.000 +	4.875	Yes	P1135
34794	S4	XP8	9.250	13.625	4.375	No	P1135
34796	S4	L1	9.375	14.250 +	4.875	Yes	P1135
34797	L1	LS26	14.000	22.250 +	8.250	Yes	None
34798	LS77	S3	11.375	16.500 +	5.125	Yes	None
34799	LS77	S3	11.750	15.875++	4.125	Yes	None
34802	L1	L1	14.000	22.750	8.750	Yes	P829
34803	L1	L1	13.250	21.000	7.750	Yes	P573
34817	L1/CP1	S3	9.875	14.625	4.750	Yes	P19
34821	L1	LS38	14.250	22.875	8.625	Yes	None
34822	S3	S3	13.875	22.750	8.875	Yes	None
34824	L1/CP1	S4	14.000	22.875	8.875	Yes	P19
34826	L3	S3	12.625	18.500	5.875	No	P120
34828	L3	L3	13.125	21.000	7.875	Yes	P575
34831	S4	XP8	8.875	13.375	4.500	No	P1135
34832	S3	L2	14.750	24.375	9.625	Yes	None
34839	S3	S3	9.750	14.750	5.000	Yes	None
34853	L2	L2	13.250	21.125	7.875	Yes	None
34854	S3	L2	15.625	26.250	10.625	Yes	None
34868	S4	XP8	10.000	15.500	5.500	No	P1135
34899	S4	S3	9.875	14.375	4.500	Yes	P1135
34900	S4	S3	10.625	15.875	5.250	No	P1135
34901	S4	S3	13.750	22.625	8.875	Yes	P1135
34904	L1	L1	11.875	18.125	6.250	Yes	P411
34905	L1	L1	12.625	19.750	7.125	Yes	None
34906	S4	S3	10.125	16.750 +	6.625	Yes	P1135
34907	S4	S3	13.375	21.250 +	7.875	Yes	P1135
34909	S4	S4	13.250	22.000 +	8.750	Yes	Two P1134
34910	LS39	LS39	13.000	20.875	7.875	Yes	None
34911	S4	LS38	12.375	19.750	7.375	Yes	P1136
34912	L1/CP1	LS54	14.125	23.000	8.875	Yes	P19
34919	S3	S3	11.625	18.250	6.625	Yes	P816
34920	S4	S4	15.500	26.125	10.625	Yes	None
34926	S4	L1	11.500	18.375	6.875	Yes	P1135

+ Bumper Stop Unit. Dimension shown at Bumper Contact.

++ Hydraulic Lockout Unit. Dimension at Lockout Contact.

SHOCKS

PART NO.	MOUNTING		LENGTHS		Travel	DUST	PARTS
	Upper	Lower	Comp	Ext		SHIELD	PACK
GAS MAGNUM SHOCKS							
34927	L1	LS26	13.500	21.750	8.250	Yes	None
34928	S4	LS26	11.625	18.500	6.875	Yes	P864 P1135
34929	S4	S4	14.750	24.625	9.875	Yes	None
34930	L1	LS26	14.875	24.750	9.875	Yes	None
34944	LS37	LS37	11.750	18.375	6.625	Yes	P816
34953	S4	XP5	9.375	14.500	5.125	Yes	P1134
34954	S4	L1	11.500	19.125	7.625	Yes	P1137
34958	L1	S3	12.625	20.375	7.750	Yes	P826
34959	S4	L3	13.250	21.500	8.250	Yes	P122 P1134
34960	S4	S4	14.125	22.875	8.750	Yes	None
34963	L1	LS26	14.125	22.875	8.750	Yes	None
34964	L1	LS26	15.750	26.375	10.625	Yes	None
34970	S4	S4	10.375	14.500 +	4.125	No	P694
34971	LS27	LS27	13.375	21.000 +	7.625	Yes	None
34983	S4	XP5	9.500	13.750 +	4.250	No	P1134
34985	XP7	S4	16.125	26.750	10.625	Yes	None
SENSA-TRAC TRUCK SHOCK ABSORBERS							
37011	S4	LS26	9.875	14.500 +	4.625	Yes	P1135
37012	S4	LS26	10.000	15.500 +	5.500	Yes	P1135
37012	S4	LS26	11.000	16.250	5.250	Yes	P1135
37013	L1	LS26	14.375	23.000	8.625	Yes	P827
37014	L1	LS26	16.000	26.375	10.375	Yes	P827
37015	S4	L1	9.750	14.500 +	4.750	Yes	P1135
37016	S4	LS27	9.000	13.000 +	4.000	Yes	P1135
37017	L3	LS27	14.625	23.500 +	8.875	Yes	P867
37018	S4	L1	10.000	15.500 +	5.500	Yes	P1135
37019	S4	XP4	8.875	13.250	4.375	No	P1134
37021	XP7	LS47	14.500	24.000	9.500	Yes	None
37022	S4	LS23	9.625	14.375	4.750	Yes	P1134
37024	S4	L1	13.375	21.875	8.500	Yes	P1134
37026	S4	XP4	12.875	20.375 +	7.500	Yes	P1136
37027	XP12	L1	12.750	20.000 +	7.250	Yes	None
37029	L1	L1	14.375	23.000	8.625	Yes	None
37030	S4	LS82	9.250	13.625	4.375	Yes	P1134
37031	S4	LS23	10.500	16.375	5.875	Yes	P1134
37032	L3	L3	13.875	21.500 +	7.625	Yes	P575
37033	S4	L3	13.250	20.875 +	7.625	Yes	P81 P1134
37034	S4	LS26	10.000	14.750 +	4.750	Yes	P1135
37035	XP7	LS26	15.000	25.125	10.125	Yes	P941
37036	S4	L1	11.625	18.375	6.750	Yes	P1135
37037	L1	LS26	13.500	21.750	8.250	Yes	None
37038	L1	LS26	15.000	24.750	9.750	Yes	None
37039	L1	LS26	15.875	26.375	10.500	Yes	None
37040	LS37	LS37	11.875	18.375	6.500	Yes	P816
37041	L1/CP5	LS47	14.125	22.875	8.750	Yes	P19
37042	LS40	LS40	13.375	21.000	7.625	Yes	None
37044	XP7	LS47	16.125	26.750 +	10.625	Yes	None
37045	L2	L2	13.125	20.250 +	7.125	Yes	None
37046	LS39	L2	15.750	26.125	10.375	Yes	None
37047	S4	LS23	8.125	12.125	4.000	Yes	P1137
37049	L1/CP5	LS36	10.000	14.625	4.625	Yes	P19
37050	S4	XP5	9.500	13.750 +	4.250	No	P1134
37051	L1	LS26	12.000	18.125 +	6.125	Yes	None

+ Bumper Stop Unit. Dimension shown at Bumper Contact.

++ Hydraulic Lockout Unit. Dimension at Lockout Contact.

SHOCKS

PART NO.	MOUNTING		LENGTHS		Travel	DUST	PARTS
	Upper	Lower	Comp	Ext		SHIELD	PACK
SENSA-TRAC TRUCK SHOCK ABSORBERS							
37052	L1	LS26	14.375	23.000	8.625	Yes	None
37053	S4	LS38	10.750	15.875 +	5.125	Yes	P1135
37054	S4	LS26	10.500	15.875 +	5.375	Yes	P1135
37055	LS26	LS26	14.000	22.500 +	8.500	Yes	None
37058	S4	XP4	8.500	12.375	3.875	No	P1134
37060	S4	XP5	10.250	15.125 +	4.875	Yes	P1135
37061	LS28	LS26	12.000	18.125 +	6.125	Yes	None
37062	LS77	LS39	11.250	16.500 +	5.250	Yes	None
37063	S4	XP5	9.250	14.000	4.750	No	P1134
37064	LS74	LS74	14.750	23.125 +	8.375	Yes	None
37065	LS28	LS28	12.000	18.125 +	6.125	Yes	None
37066	S4	XP2	8.625	13.000	4.375	No	P1135
37067	XP8	LS39	14.625	23.500	8.875	Yes	None
37068	S4	LS37	9.750	15.000	5.250	No	P1135
37069	XP8	LS39	15.625	26.250	10.625	Yes	None
37070	S4	LS26	12.125	18.250 +	6.125	Yes	P1134
37071	S4	LS7	15.875++	20.750 +	4.875	Yes	P1278
37072	S4	XP5	9.375	14.500	5.125	Yes	P1134
37073	L1	L1	13.000	20.750	7.750	Yes	None
37074	L1	S4	12.125	19.250	7.125	Yes	P1137
37075	L3	LS43	13.625	21.250 +	7.625	Yes	P867
37076	L3	LS43	14.875	23.625 +	8.750	Yes	P867
37077	S4	LS23	8.875	13.750	4.875	Yes	P1134
37078	L1	L1	12.625	20.000	7.375	Yes	None
37080	S4	LS26	12.500	20.750 +	8.250	Yes	P1135
37081	S4	XP4	13.000	20.750 +	7.750	Yes	P1136
37082	L1	LS25	13.625	21.500 +	7.875	Yes	None
37083	S4	XP4	13.250	21.125 +	7.875	Yes	P1136
37085	XP7	LS47	14.000	22.375 +	8.375	Yes	None
37086	XP7	LS47	14.625	23.750 +	9.125	Yes	None
37087	XP7	LS47	15.375	25.250 +	9.875	Yes	None
37088	S4	LS38	9.875	14.500 +	4.625	Yes	P1135
37089	S4	LS38	12.250	19.625	7.375	Yes	P1134
37090	LS37	LS37	10.000	14.750	4.750	Yes	None
37091	LS39	LS39	13.125	20.875	7.750	Yes	None
37093	S4	XP8	8.875	13.250	4.375	No	P1135
37094	LS39	L2	14.875	24.375	9.500	Yes	None
37095	S4	LS26	10.125	14.625 +	4.500	Yes	P1135
37096	S4	XP8	8.875	13.375	4.500	No	P1135
37097	S4	XP1	8.750	13.375	4.625	No	P1134
37098	L1	L1	11.750	18.250	6.500	Yes	None
37099	LS39	LS39	11.625	16.500 +	4.875	Yes	None
37100	S4	LS23	9.625	14.750	5.125	Yes	P1134
37101	L1	L1	15.125	24.875	9.750	Yes	None
37102	S5	LS47	9.500	13.750 +	4.250	Yes	P1167
37103	LS47	LS47	15.500	24.625	9.125	Yes	None
37104	S5	LS47	14.000	21.750++	7.750	Yes	P1167
37105	LS47	LS47	15.500	24.625	9.125	Yes	None
37108	S4	LS23	10.375	15.250	4.875	Yes	P1134
37109	LS78	L3	12.875	19.625 +	6.750	Yes	P120
37110	LS27	LS26	10.625	15.750 +	5.125	Yes	None
37111	S4	XP5	9.375	14.500	5.125	No	P1134
37112	L1	L1	12.375	19.000 +	6.625	Yes	None

+ Bumper Stop Unit. Dimension shown at Bumper Contact.

++ Hydraulic Lockout Unit. Dimension at Lockout Contact.

SHOCKS

PART NO.	MOUNTING		LENGTHS		Travel	DUST	PARTS
	Upper	Lower	Comp	Ext		SHIELD	PACK
SENSA-TRAC TRUCK SHOCK ABSORBERS							
37113	L3	L3	13.250	20.375 +	7.125	Yes	P575
37114	L3	L3	12.875	19.500 +	6.625	Yes	P575
37116	S4	L1	10.250	14.875 +	4.625	Yes	P1135
37117	S4	LS26	13.500	22.000	8.500	Yes	P1135
37118	S4	LS26	10.250	15.000 +	4.750	Yes	P1135
37120	S4	LS38	14.500	24.375	9.875	Yes	P1135
37121	L1	LS38	11.875	18.375	6.500	Yes	None
37122	S4	XP4	13.625	18.000 +	4.375	Yes	P941 P1135
37123	LS28	LS28	11.375	17.000 +	5.625	Yes	None
37125	S4	XP5	9.500	13.750 +	4.250	No	P1134
37128	S4	L1	9.375	14.250 +	4.875	Yes	P1135
37129	S4	XP4	8.375	12.250	3.875	No	P1134
37130	LS77	LS39	11.750	16.000 +	4.250	Yes	None
37131	S5	XP5	10.250	14.875 +	4.625	Yes	P1167
37132	S4	LS26	14.250	23.875	9.625	Yes	P1135
37133	S4	LS39	10.000	14.375 +	4.375	Yes	P1136
37134	S4	LS26	16.000	27.500	11.500	Yes	P1136
37135	XP12	LS37	12.500	19.625 +	7.125	Yes	None
37137	S4	XP5	8.500	13.000	4.500	No	P1135
37138	LS28	LS28	14.625	22.750 +	8.125	Yes	None
37140	LS28	LS28	15.375	24.625 +	9.250	Yes	None
37144	LS26	LS26	13.750	21.750	8.000	Yes	None
37145	LS26	LS26	14.375	23.125	8.750	Yes	None
37146	S1	LS40	15.875	23.375 +	7.500	No	P906
37147	S4	LS43	14.250	23.875	9.625	Yes	P1135
37148	S4	LS43	16.125	27.375	11.250	Yes	P1136
37149	S4	XP5	10.375	14.375 +	4.000	Yes	P1135
37150	LS47	LS47	15.625	23.750 +	8.125	Yes	None
37151	S4	SPEC	11.000	15.125 +	4.125	Yes	P1135
37152	LS47	LS47	16.875	25.500 +	8.625	Yes	None
37153	S4	XP5	10.500	13.500 +	3.000	Yes	P1135
37154	LS26	LS26	14.125	20.125 +	6.000	Yes	None
37155	LS27	LS27	10.500	16.625 +	6.125	Yes	None
37156	LS26	LS26	12.750	20.250 +	7.500	Yes	None
37157	S4	L3	12.500	20.000 +	7.500	Yes	P81 P1134
37158	LS52	LS30	14.500	23.250 +	8.750	Yes	None
37159	S4	LS23	10.125	15.000 +	4.875	Yes	P1134
37160	S4	LS78	11.875	18.500 +	6.625	Yes	P1134
37161	S4	XP4	13.000	20.750 +	7.750	Yes	P941 P1136
37162	LS29	LS25	13.750	21.750 +	8.000	Yes	None
37163	S5	XP5	10.250	15.000 +	4.750	Yes	P1167
37164	LS47	LS47	16.000	26.000 +	10.000	Yes	None
37166	LS47	LS47	14.625	23.500 +	8.875	Yes	None
37177	S4	XP4	11.625	18.000 +	6.375	Yes	P941 P1135
37178	S4	SPEC	10.750	15.375 +	4.625	Yes	P1135
37181	S5	LS42	10.250	15.125 +	4.875	Yes	P1167
37186	S4	S4	14.000	24.250	10.250	Yes	Two P1134
37187	LS37	L1/CP5	9.375	14.250	4.875	Yes	P19
37188	L1/CP3	L1/CP3	14.000	23.625	9.625	Yes	P572 P576
37189	L2	L2	15.250	25.625	10.375	Yes	None
37190	XP9	LS38	10.625	15.750 +	5.125	No	None
37191	S3	S3	13.000	21.625	8.625	Yes	Two P171
37192	L3	S3	13.625	21.750	8.125	Yes	P120 P171

+ Bumper Stop Unit. Dimension shown at Bumper Contact.

++ Hydraulic Lockout Unit. Dimension at Lockout Contact.

SHOCKS

PART NO.	MOUNTING		LENGTHS		Travel	DUST	PARTS
	Upper	Lower	Comp	Ext		SHIELD	PACK
SENSA-TRAC TRUCK SHOCK ABSORBERS							
37195	SPEC	SPEC	8.375	11.375	3.000	Yes	17110284
37196	SPEC	SPEC	8.875	12.375	3.500	Yes	17110286
37197	S	S	12.875	21.500	8.625	Yes	17110046
37198	LS55	S	13.625	22.000	8.375	Yes	17110331
37199	S4	L1	14.375	24.250 +	9.875	Yes	P1137
37200	LS3	LS3	11.250	17.375	6.125	Yes	None
37201	LS7	S3	10.125	15.625	5.500	Yes	P591
37202	LS26	LS26	14.875	21.250++	6.375	Yes	None
37203	LS52	LS28	14.000	21.875 +	7.875	Yes	None
37204	LS74	LS52	15.125	24.250 +	9.125	Yes	None
37206	S5	XP12	9.875	14.250 +	4.375	Yes	P1167
37207	LS47	LS47	16.000	26.500	10.500	Yes	None
37208	S5	LS47	10.750	15.875 +	5.125	Yes	P1167
37217	S4	LS51	15.250	25.125 +	9.875	Yes	P1137
37218	LS38	LS38	11.375	17.375	6.000	Yes	None
37220	S4	LS26	9.750	14.750	5.000	No	P1135
37231	S4	LS22	13.000	21.250 +	8.250	Yes	P1134
37232	LS29	XP7	14.500	23.750	9.250	Yes	None
37233	LS29	XP7	14.375	22.750	8.375	Yes	None
37234	LS29	LS29	13.750	22.375 +	8.625	Yes	None
37237	S4	LS51	17.375 +	23.500 +	6.125	Yes	P1136
37238	S4	LS23	13.625	22.500	8.875	Yes	P1134
37239	S4	LS23	13.125	21.500	8.375	Yes	P1134
37240	S5	LS54	14.875	24.000 +	9.125	Yes	P1167 P1336
37241	LS28	LS29	17.625	23.250	5.625	Yes	None
37242	LS28	LS29	14.625	22.250	7.625	Yes	None
37243	S4	L1	13.000	21.500	8.500	Yes	P1137
37244	LS51	LS56	10.875	15.750	4.875	Yes	None
37246	LS39	LS39	11.500	16.875	5.375	Yes	None
37249	LS66	SPEC	14.000	22.000	8.000	Yes	None
37269	S4	LS26	12.375	19.750	7.375	Yes	P1134
37283	S5	LS29	10.100	15.100	4.400	Yes	None
SENSA-TRAC MONOTUBE SHOCK ABSORBERS							
39001	S1	LS6	15.125 +	20.000	4.875	Yes	17110326
39002	S1	SPEC	13.625 +	18.375	4.750	Yes	P341
39003	LS49	LS49	9.375	13.250	3.875	No	None
39004	S1	LS12	11.875	18.250 +	6.375	Yes	P46
39005	S1	SPEC	14.750 +	17.250 +	2.500	Yes	P990
39006	S1	XP11	11.250	17.500	6.250	No	P341
39007	S1	LS64	10.000	14.250 +	4.250	No	P991
39008	LS80	LS80	10.750	14.750 +	4.000	Yes	None
39009	LS80	LS80	10.750	14.625 +	3.875	Yes	None
39011	S1	LS31	11.625	17.875	6.250	Yes	P260
39012	S1	LS27	17.625 +	22.250 +	4.625	Yes	P1019
39013	S1	LS6	17.125 +	20.875	3.750	Yes	17110322
39014	S1	LS6	15.375 +	19.750	4.375	Yes	17110326
39016	S1	SPEC	14.500 +	17.250 +	2.750	Yes	17110450
39018	S1	LS6	18.125	19.500	1.375	Yes	17110322
39019	S1	LS6	14.750 +	17.750 +	3.000	Yes	17110326
39020	S1	LS6	19.000 +	19.875 +	0.875	Yes	17110326
39021	S1	LS6	18.500 +	18.875 +	0.375	Yes	17110326
39024	S1	L1	10.250	14.125 +	3.875	Yes	P260
39026	S1	XP11	11.250	17.500	6.250	No	17110076

+ Bumper Stop Unit. Dimension shown at Bumper Contact.

++ Hydraulic Lockout Unit. Dimension at Lockout Contact.

SHOCKS

PART NO.	MOUNTING		LENGTHS		Travel	DUST	PARTS
	Upper	Lower	Comp	Ext		SHIELD	PACK
SENSA-TRAC MONOTUBE SHOCK ABSORBERS							
39027	SPEC	LS31	17.125 +	19.750 +	2.625	Yes	None
39028	S1	SPEC	9.875	14.000	4.125	Yes	17110453
39030	S1	SPEC	14.000 +	19.125	5.125	Yes	P609
39031	LS27	SPEC	14.500 +	18.125 +	3.625	Yes	None
39032	S1	SPEC	11.250	17.500	6.250	No	P341
39033	S1	LS6	15.125	20.000	4.875	Yes	17110326
39040	S2	LS34	11.125	17.000	5.875	Yes	None
39041	S1	LS6	14.625	19.625	5.000	Yes	17110326
39042	S1	LS6	17.625	18.875	1.250	Yes	17110322
39043	S1	LS6	14.625	19.625	5.000	Yes	17110322
39044	S1	LS6	17.750	18.875	1.125	Yes	17110322
39045	S1	LS6	16.500	18.250	1.750	Yes	17110322
39046	S1	LS6	17.750	19.125	1.375	Yes	17110322
39047	S1	LS6	18.875	22.500	3.625	Yes	17110326
39050	S1	LS6	18.375	22.500	4.125	Yes	17110326
39051	S2	SPEC	14.750	18.625	3.875	No	None
39052	S1	LS10	15.000	24.000	9.000	No	17110495
39100	S1	LS8	16.375	24.125 +	7.750	No	None
39101	SPEC	LS30	19.000 +	20.500 +	1.500	Yes	None
39102	S1	LS10	15.000	24.000	9.000	No	17110495
39105	S1	SPEC	14.513	18.060	3.547	Yes	None
SPECIALTY SHOCKS							
40004	S4	LS38	13.625	18.000	4.375	Yes	None
40005	S4	XP7	13.500	18.000	4.500	Yes	None
40006	XP7	LS26	15.000	24.000	9.000	Yes	None
40007	XP7	LS26	15.000	24.000	9.000	Yes	None
40008	SPEC	SPEC	13.750	17.250	3.500	No	None
40009	SPEC	SPEC	13.750	17.250	3.500	No	None
40010	SPEC	SPEC	15.000	17.750	2.750	Yes	None
40011	SPEC	SPEC	15.000	17.750	2.750	Yes	None
40012	SPEC	SPEC	14.250	17.750	3.500	No	None
40013	SPEC	SPEC	14.250	17.750	3.500	No	None
40014	SPEC	SPEC	15.500	22.000	6.500	No	None
40015	SPEC	SPEC	15.500	22.000	6.500	No	None
40018	S6	LS45	13.500	18.375	4.875	Yes	None
40023	S1	XP11	12.000	16.000	4.000	No	None
40024	S1	XP11	12.000	16.000	4.000	No	None
40025	S1	SPEC	12.250	15.750	3.500	No	None
40026	S1	SPEC	12.250	15.750	3.500	No	None
40029	SP	XP11	16.500	25.625	9.125	Yes	None
40030	SP	XP11	16.500	25.625	9.125	Yes	None
40031	LS43	LS43	15.000	22.500	7.500	Yes	None
40032	LS43	LS43	15.250	22.750	7.500	Yes	None
40033	S1	SPEC	11.000	15.375	4.375	Yes	None
40034	LS43	LS43	15.250	22.750	7.500	Yes	None
40035	S1	LS42	10.875	15.375	4.500	Yes	None
40036	LS43	LS43	15.625	23.875	8.125	Yes	None
40037	S1	XP5	10.375	14.500	4.125	Yes	None
40038	S1	SPEC	11.000	15.375	4.375	Yes	None
40039	LS43	LS43	15.625	23.875	8.125	Yes	None
40040	LS43	LS43	16.875	25.625	8.250	Yes	None
40041	S1	SPEC	11.000	15.375	4.375	Yes	None
40042	LS43	LS43	15.250	22.750	7.500	Yes	None

+ Bumper Stop Unit. Dimension shown at Bumper Contact.

++ Hydraulic Lockout Unit. Dimension at Lockout Contact.

SHOCKS

PART NO.	MOUNTING		LENGTHS		Travel	DUST	PARTS
	Upper	Lower	Comp	Ext		SHIELD	PACK
SPECIALTY SHOCKS							
40043	S1	SPEC	11.000	15.375	4.375	Yes	None
40044	S1	SPEC	11.000	15.375	4.375	Yes	None
40045	LS43	LS43	15.250	22.750	7.500	Yes	None
40200	LS77	LS77	11.625	17.875	6.125	Yes	None
40201	LS77	LS77	11.625	17.875	6.125	Yes	None
40202	LS28	LS28	11.625	17.875	6.125	Yes	None
40204	LS32	LS32	12.125	18.375	6.250	Yes	None
40205	LS32	LS32	12.125	18.375	6.250	Yes	None
40206	SPEC	SPEC	12.500	19.250	6.750	Yes	None
40207	SPEC	SPEC	12.375	19.000	6.625	Yes	None
40208	SPEC	SPEC	12.375	19.000	6.625	Yes	None
40209	LS43	LS43	14.875	22.875	8.000	Yes	None
40210	LS43	LS43	14.875	22.875	8.000	Yes	None
40211	S1	SPEC	18.250	24.375	6.125	Yes	None
GAS-MAGNUM 65 SHOCKS							
65116	L4	L4	15.375	24.250	8.875	Yes	None
65421	LS54	LS54	15.500	24.250++	8.750	Yes	None
65430	L4	L4	13.375	19.375++	6.000	Yes	None
65448	L4	L4	17.000	25.625++	8.625	Yes	None
65464	L4	L4	13.375	19.250++	5.875	Yes	None
65472	L4	S6	15.125	23.125++	8.000	Yes	P1071 P1231
65474	L4	L4	13.625	20.000++	6.375	Yes	None
65482	LS54	LS54	17.375	28.000++	10.625	Yes	None
66502	LS54	LS54	13.875	22.500	8.625	Yes	None
GAS-MAGNUM 60 SHOCKS							
66618	L3	L3	13.375	21.500	8.125	Yes	P575
66636	LS54	LS54	13.375	20.000++	6.625	Yes	None
66642	LS47	LS47	14.125	22.875	8.750	Yes	None
66666	LS38	LS38	13.875	22.875	9.000	Yes	None
66667	LS38	LS38	12.250	19.750	7.500	Yes	None
66691	LS41	LS53	15.000	24.000	9.000	Yes	None
66692	LS71	S6	13.750	22.625	8.875	Yes	P1071 P1231
66717	S4	L3	14.250	23.375	9.125	Yes	P120 P936 P1134
66957	L4	L4	15.250	23.250++	8.000	Yes	None
GAS-MAGNUM SEVERE SERVICE SHOCK ABSORBERS							
550010	S4	XP4	9.375	13.750 +	4.375	No	P1136
550011	S4	L1	12.375	20.000 +	7.625	Yes	P576 P1136
550012	S4	XP4	9.375	14.250	4.875	No	P1134
550013	XP7	L1	13.250	21.250 +	8.000	Yes	P576 P941
550015	XP7	LS47	13.875	22.375 +	8.500	Yes	None
550016	S4	XP4	12.625	20.375 +	7.750	Yes	P1136
550017	XP12	L1	17.750	20.125 +	2.375	Yes	None
550018	S4	LS26	12.500	20.000 +	7.500	Yes	P1136 P1344
550019	LS47	LS28	13.125	21.125	8.000	Yes	None
550020	LS48	LS43	12.625	20.250	7.625	Yes	None
550051	S4	L1	12.375	20.000 +	7.625	Yes	P576 P1136
550052	XP7	L1	13.375	21.250 +	7.875	Yes	P576 P941
550053	XP7	LS47	13.625	21.875 +	8.250	Yes	None
550054	XP12	L1	12.750	20.250 +	7.500	Yes	None
550055	S4	LS26	12.375	20.125 +	7.750	Yes	P1136 P1344
553001	S5	LS53	13.875	17.000	3.125	Yes	P1365
553002	S1	SPEC	14.375	21.375	7.000	No	None

+ Bumper Stop Unit. Dimension shown at Bumper Contact.

++ Hydraulic Lockout Unit. Dimension at Lockout Contact.

SHOCKS

PART NO.	MOUNTING		LENGTHS		Travel	DUST	PARTS
	Upper	Lower	Comp	Ext		SHIELD	PACK
GAS-MAGNUM RV SHOCK ABSORBERS							
555001	S4	S4	7.875	11.875 +	4.000	Yes	Two P1134
555002	L1	L1	8.625	12.750	4.125	Yes	P1221
555003	L1	L1	9.625	14.750	5.125	Yes	P1221
555004	L1	L1	11.250	17.875	6.625	Yes	P1221
555005	L1	L1	12.000	19.500	7.500	Yes	P1221
555006	L1	L1	13.375	22.250	8.875	Yes	P1221
555009	XP7	LS47	14.000	22.375	8.375	Yes	None
555010	S5	LS15	13.500	22.125	8.625	Yes	P1167
555011	L2	LS39	14.625	24.125	9.500	Yes	None
555012	L2	L2	12.125	19.125	7.000	Yes	None
555013	L2	L2	16.000	27.000	11.000	Yes	None
555014	L1	LS39	15.000	23.375++	8.375	Yes	None
555015	L1	LS39	15.000	23.375++	8.375	Yes	None
555020	S5	LS38	13.500	22.500	9.000	Yes	P1167
555025	S4	S4	8.625	13.500 +	4.875	Yes	Two P1134
555026	LS54	LS54	14.000	21.250++	7.250	Yes	None
555027	LS54	LS54	14.000	21.250++	7.250	Yes	None
555028	LS54	LS54	15.000	23.250++	8.250	Yes	None
555029	LS54	LS54	15.000	23.250++	8.250	Yes	None
555031	S5	L1	10.000	14.875 +	4.875	Yes	P1167
555032	S5	LS26	13.250	22.000	8.750	Yes	P1167
555033	S5	LS38	10.625	16.000 +	5.375	No	P1167
555034	S5	LS38	13.625	22.500	8.875	Yes	P1167
555035	LS37	LS37	9.875	14.875	5.000	Yes	None
555036	LS39	LS39	15.000	24.625 +	9.625	Yes	None
555037	S5	XP8	10.125	15.625	5.500	No	P1167
555038	LS39	LS39	12.875	21.000	8.125	Yes	None
555039	S5	XP8	9.125	13.875	4.750	No	P1167
555041	LS78	LS78	14.125	22.875	8.750	Yes	None
555042	LS76	LS76	8.250	11.500	3.250	Yes	None
555043	S4	S4	12.500	20.875	8.375	Yes	Two P1134
555045	LS47	LS47	12.750 +	16.125 +	3.375	Yes	None
555046	L1	LS47	13.750 +	19.250 +	5.500	Yes	P19
555944	S4	L1	13.750	23.375	9.625	Yes	P837 P1098
555949	L1	L1	17.125	29.375	12.250	Yes	Two P576
557001	LS54	LS54	17.375	29.125	11.750	Yes	P1232
557002	LS54	LS54	16.875	27.625	10.750	No	None
557003	LS53	LS37	10.625	15.750	5.125	Yes	P1234
557004	LS47	LS47	14.000	22.000	8.000	Yes	None
557007	LS54	LS54	16.000	25.625	9.625	No	None
557009	L4	L4	15.500	23.750++	8.250	Yes	None
557010	LS54	LS54	15.375	23.750++	8.375	Yes	None
557011	LS39	LS54	15.250	23.875++	8.625	Yes	None
557012	LS54	LS54	13.625	20.500++	6.875	Yes	None
557013	LS54	LS54	13.500	20.000++	6.500	Yes	None
557014	LS54	LS54	15.750	24.625++	8.875	Yes	None
557015	LS54	LS54	17.875	29.000++	11.125	Yes	None
557018	LS54	LS54	13.500	20.000++	6.500	Yes	None
557020	LS54	LS54	16.500	26.250++	9.750	Yes	None
557022	LS54	LS54	12.250	17.625++	5.375	Yes	None
557023	LS54	LS54	15.375	23.875++	8.500	Yes	None
557026	LS54	LS54	13.625	20.500++	6.875	Yes	None
557027	LS54	LS54	15.250	23.500++	8.250	Yes	None

+ Bumper Stop Unit. Dimension shown at Bumper Contact.

++ Hydraulic Lockout Unit. Dimension at Lockout Contact.

SHOCKS

PART NO.	MOUNTING		LENGTHS		Travel	DUST	PARTS PACK
	Upper	Lower	Comp	Ext		SHIELD	
GAS-MAGNUM RV SHOCK ABSORBERS							
557028	LS54	LS54	16.875	27.000++	10.125	Yes	None
557030	LS59	LS60	14.750	22.250++	7.500	Yes	None
557031	LS54	LS54	16.375	27.000	10.625	Yes	None
557032	LS54	S6	13.625	22.000	8.375	Yes	P1071 P1231
557033	S6	S6	11.250	16.500	5.250	Yes	P1071 P1231
557034	S5	LS39	14.500	22.875++	8.375	Yes	P1167
557035	S5	LS39	14.500	22.875++	8.375	Yes	P1167
557036	LS59	LS60	16.750	27.000	10.250	Yes	None
557037	LS59	S6	13.625	21.500	7.875	Yes	P10171 P1231
557038	LS60	LS60	16.740	26.990	10.250	Yes	None
REFLEX TRUCK SHOCK ABSORBERS							
911011	S4	LS26	9.875	14.500 +	4.625	Yes	P1135
911013	L1	LS26	14.250	23.000	8.750	Yes	P827
911014	L1	LS26	16.000	26.375	10.375	Yes	P827
911015	S4	L1	9.750	14.250 +	4.500	Yes	P1135
911019	S4	XP4	9.000	13.250	4.250	No	P1134
911021	XP7	LS47	14.500	24.000	9.500	Yes	None
911022	S4	LS23	9.500	14.250	4.750	Yes	P1134
911024	S4	L1	13.375	22.000	8.625	Yes	P1134
911026	S4	XP4	12.875	20.375 +	7.500	Yes	P1136
911027	XP12	L1	12.750	20.000 +	7.250	Yes	None
911029	L1	L1	14.250	23.000	8.750	Yes	None
911030	S4	LS82	9.250	13.750	4.500	Yes	P1134
911032	L3	L3	13.750	21.500 +	7.750	Yes	P575
911033	S4	L3	13.250	20.875 +	7.625	Yes	P81 P1134
911034	S4	LS26	10.000	14.750 +	4.750	Yes	P1135
911035	XP7	LS26	15.000	25.000	10.000	Yes	P941
911036	S4	L1	11.625	18.500	6.875	Yes	P1135
911037	L1	LS26	13.500	21.750	8.250	Yes	None
911038	L1	LS26	14.875	24.750	9.875	Yes	None
911039	L1	LS26	15.750	26.375	10.625	Yes	None
911040	LS37	LS37	11.750	18.375	6.625	Yes	P816
911041	L1/CP5	LS47	14.000	22.875	8.875	Yes	P19
911042	LS40	LS40	13.250	21.000	7.750	Yes	None
911043	LS77	LS39	11.250	16.500 +	5.250	Yes	None
911044	XP7	LS47	16.250	26.750 +	10.500	Yes	None
911047	S4	LS23	8.125	12.125	4.000	Yes	P1137
911049	L1/CP5	LS36	10.000	14.625	4.625	Yes	P19
911050	S4	XP5	9.500	13.750 +	4.250	No	P1134
911052	L1	LS26	14.250	23.000	8.750	Yes	None
911055	LS26	LS26	14.000	22.500 +	8.500	Yes	None
911058	S4	XP4	8.500	12.375	3.875	No	P1134
911061	LS28	LS26	11.875	18.125 ++	6.250	Yes	None
911063	S4	XP5	9.250	13.875	4.625	No	P1134
911064	LS74	LS74	14.625	23.125 +	8.500	Yes	None
911065	LS28	LS28	12.000	18.125	6.125	Yes	None
911071	S4	LS7	15.875 +	20.750 +	4.875	Yes	P1278
911073	L1	L1	13.000	20.750	7.750	Yes	None
911077	S4	LS23	8.750	13.375	4.625	Yes	P1134
911078	L1	L1	12.625	20.000	7.375	Yes	None
911080	S4	LS26	12.500	20.750 +	8.250	Yes	P1135
911081	S4	XP4	13.000	20.750 +	7.750	Yes	P1136
911082	L1	LS25	13.500	21.500 +	8.000	Yes	None

+ Bumper Stop Unit. Dimension shown at Bumper Contact.

++ Hydraulic Lockout Unit. Dimension at Lockout Contact.

SHOCKS

PART NO.	MOUNTING		LENGTHS		Travel	DUST	PARTS
	Upper	Lower	Comp	Ext		SHIELD	PACK
REFLEX TRUCK SHOCK ABSORBERS							
911083	S4	XP4	13.250	21.125 +	7.875	Yes	P1136
911085	XP7	LS47	14.000	22.375 +	8.375	Yes	None
911086	XP7	LS47	14.750	23.750 +	9.000	Yes	None
911087	XP7	LS47	15.500	25.250 +	9.750	Yes	None
911090	LS37	LS37	9.750	14.750	5.000	Yes	None
911091	LS39	LS39	13.000	20.875	7.875	Yes	None
911096	S4	XP8	9.000	13.750	4.750	No	P1135
911099	LS39	LS39	11.500	16.625 +	5.125	Yes	None
911102	S5	LS47	9.625	13.750 +	4.125	Yes	P1167
911103	LS47	LS47	15.375	24.625	9.250	Yes	None
911104	S5	LS47	14.000	21.750++	7.750	Yes	P1167
911108	S4	LS23	10.375	15.375	5.000	Yes	P1134
911109	LS78	L3	12.750	19.500 +	6.750	Yes	P120
911110	LS27	LS26	10.750	15.750 +	5.000	Yes	None
911122	S4	XP4	13.625	18.000 +	4.375	Yes	P941 P1135
911123	LS28	LS28	11.250	17.000 +	5.750	Yes	None
911128	S4	L1	9.750	14.250 +	4.500	No	P1135 P1319
911129	S4	XP4	8.375	12.125	3.750	No	P1134
911131	S5	XP5	10.250	14.875 +	4.625	Yes	P1167
911132	S4	LS26	14.250	23.875	9.625	Yes	P1135
911133	S4	LS39	10.000	14.375 +	4.375	Yes	P1136
911134	S4	LS26	16.125	27.500	11.375	Yes	P1136
911135	XP12	LS37	12.625	19.625 +	7.000	Yes	None
911137	S4	XP5	8.625	12.625	4.000	No	P1137
911138	LS28	LS28	14.500	22.750 +	8.250	Yes	None
911140	LS28	LS28	15.250	24.625 +	9.375	Yes	None
911144	LS26	LS26	13.625	21.750	8.125	Yes	None
911145	LS26	LS26	14.375	23.125	8.750	Yes	None
911147	S4	LS43	14.375	24.000	9.625	Yes	P1135
911148	S4	LS43	16.125	27.500	11.375	Yes	P1136
911149	S4	XP5	10.375	14.375 +	4.000	Yes	P1135
911150	LS47	LS47	15.500	23.875 +	8.375	Yes	None
911151	S4	SPEC	10.875	15.125 +	4.250	Yes	P1135
911152	LS47	LS47	16.750	25.500 +	8.750	Yes	None
911153	S4	XP5	9.500	13.500 +	4.000	Yes	P1135
911156	LS26	LS26	13.000	20.250 +	7.250	Yes	None
911157	S4	L3	12.500	20.000 +	7.500	Yes	P81 P1134
911158	LS52	LS30	14.625	23.250 +	8.625	Yes	None
911161	S4	XP4	13.000	20.750 +	7.750	Yes	P941 P1136
911162	LS29	LS25	13.750	21.750 +	8.000	Yes	None
911163	S5	XP5	10.250	15.000 +	4.750	Yes	P1167
911164	LS47	LS47	16.000	26.125 +	10.125	Yes	None
911166	LS47	LS47	14.750	23.500 +	8.750	Yes	None
911167	LS47	LS47	14.375	23.000 +	8.625	Yes	None
911168	LS47	LS47	15.000	24.000 +	9.000	Yes	None
911171	S4	LS23	8.000	11.875	3.875	Yes	P1137
911172	L1	L1	14.000	22.625	8.625	Yes	None
911173	S5	L1	10.250	15.000 +	4.750	Yes	P1167
911174	XP7	LS26	15.250	25.125	9.875	Yes	None
911175	L1	LS26	13.750	21.875 +	8.125	Yes	None
911176	XP7	LS26	16.750	28.250	11.500	Yes	None
911177	S4	XP4	11.625	18.000 +	6.375	Yes	P941 P1135
911178	S4	SPEC	10.750	15.250 +	4.500	Yes	P1135

+ Bumper Stop Unit. Dimension shown at Bumper Contact.

++ Hydraulic Lockout Unit. Dimension at Lockout Contact.

SHOCKS

PART NO.	MOUNTING		LENGTHS		Travel	DUST	PARTS
	Upper	Lower	Comp	Ext		SHIELD	PACK
REFLEX TRUCK SHOCK ABSORBERS							
911181	S5	LS42	10.250	15.125 +	4.875	Yes	P1167
911183	S6	LS43	11.500	17.250 +	5.750	Yes	P1071 P1231
911184	S5	LS54	14.375	23.125 +	8.750	Yes	P1167 P1336
911186	S5	XP12	9.875	14.250 +	4.375	Yes	P1167
911187	LS47	LS47	16.000	26.500	10.500	Yes	None
911188	S5	LS47	10.750	15.875 +	5.125	Yes	P1167
911190	LS77	LS39	11.250	15.875 +	4.625	Yes	None
911191	S5	LS47	9.625	13.750 +	4.125	Yes	P1167
911192	LS47	LS47	15.750	26.125	10.375	Yes	None
911193	S5	LS47	14.250	22.250 +	8.000	Yes	P1167
911194	L1	LS26	16.625	28.125	11.500	Yes	None
911195	L1	LS26	14.250	22.875 +	8.625	Yes	None
911196	L1	LS26	18.250	31.000	12.750	Yes	None
911203	LS52	LS28	14.000	21.875 +	7.875	Yes	None
911204	LS74	LS52	15.250	24.250 +	9.000	Yes	None
911218	LS27	LS27	11.500	16.875	5.375	Yes	None
911219	S4	LS43	13.625 +	15.000 +	1.375	Yes	P1136
911220	S4	LS26	9.750	14.750	5.000	Yes	P1135
911221	S5	XP12	11.000	16.375 +	5.375	Yes	P1167
911222	LS47	LS47	16.500	27.500	11.000	Yes	None
911223	S5	LS47	14.500	22.750 +	8.250	Yes	P1167
911225	S4	LS23	8.750	13.375	4.625	Yes	P1134
911226	L1	LS82	13.375	20.750 +	7.375	Yes	None
911228	XP7	LS47	13.375	21.000	7.625	Yes	None
911229	S4	LS21	10.000	14.500	4.500	Yes	P1134
911230	XP7	LS47	14.375	23.000	8.625	Yes	None
911238	S4	LS23	13.625	22.500	8.875	No	P1134
911239	S4	LS23	13.125	21.500	8.375	Yes	P1134
911240	S5	LS54	14.875	24.000 +	9.125	Yes	P1167 P1336
911241	LS28	LS29	14.625	23.250	8.625	Yes	None
911242	LS28	LS29	14.625	22.375	7.750	Yes	None
911243	S4	L1	13.000	21.750	8.750	Yes	P1137
911245	S4	LS23	8.250	11.750	3.500	Yes	P1137
911246	LS27	LS27	11.500	17.000	5.500	Yes	None
911247	LS29	S3	13.250	21.250	8.000	Yes	None
911248	LS29	S3	12.125	19.000	6.875	Yes	None
911250	S4	LS91	14.125	22.625	8.500	Yes	P1134
911251	LS92	LS91	15.125	24.250	9.125	Yes	None
911252	LS92	LS91	14.500	23.000	8.500	Yes	None
911253	LS91	LS91	12.000	17.750	5.750	Yes	None
911255	S4	XP5	9.250	12.875	3.625	Yes	P1135
911256	S4	SPEC	10.875	15.125	4.250	Yes	P1136
911257	S4	XP5	9.875	14.125	4.250	Yes	P1135
911258	LS40	LS40	13.625	21.750	8.125	Yes	None
911259	LS29	LS23	11.000	16.000	5.000	Yes	None
911260	LS29	LS74	15.250	24.000	8.750	Yes	None
911261	LS39	LS39	15.500	25.000	9.500	Yes	None
911262	LS39	LS39	16.500	27.250	10.750	Yes	None
911263	S4	LS43	14.000	20.875	6.875	Yes	P1136
911264	S4	LS43	15.000	23.375	8.375	Yes	P1136
911265	L1	LS26	16.250	27.000	10.750	Yes	None
911266	S5	LS47	13.625	20.750	7.125	Yes	P1167
911267	L1	LS26	17.625	29.625	12.000	Yes	None

+ Bumper Stop Unit. Dimension shown at Bumper Contact.

++ Hydraulic Lockout Unit. Dimension at Lockout Contact.

SHOCKS

PART NO.	MOUNTING		LENGTHS			DUST	PARTS
	Upper	Lower	Comp	Ext	Travel	SHIELD	PACK
REFLEX TRUCK SHOCK ABSORBERS							
911268	L1	LS26	18.500	31.375	12.875	Yes	None
911270	S5	LS54	14.000	22.250	8.250	Yes	P1167 P1336
911272	S4	LS 50	12.500	19.625	7.125	Yes	P1134
911273	LS49	LS47	13.375	21.000	7.625	Yes	None
911274	LS44	LS44	10.250	14.750	4.500	Yes	None
911275	LS49	LS47	12.375	19.500	7.125	Yes	None
911276	LS49	LS47	12.750	20.250	7.500	Yes	None
911277	LS28	LS28	14.750	24.000	9.250	Yes	None
911278	LS30	LS38	15.125	24.250	9.125	Yes	None
911279	S4	LS23	12.750	20.375	7.625	Yes	P1134
911280	S4	LS23	13.750	22.375	8.625	Yes	P1134
911281	LS40	LS40	12.625	19.500	6.875	Yes	None
911282	S5	LS29	11.000	15.375	4.375	Yes	None
REFLEX MONOTUBE TRUCK SHOCK ABSORBERS							
911501	S4	SPEC	10.875	15.375	4.500	Yes	P1136
911502	LS47	LS47	16.750	25.625	8.875	Yes	None
911503	S4	XP5	10.250	14.625	4.375	Yes	P1136
911504	LS47	LS47	15.375	24.125	8.750	Yes	None
911505	S4	SPEC	10.875	15.375	4.500	Yes	P1136
911506	LS47	LS47	15.375	23.750	8.375	Yes	None
911507	S4	LS42	12.500	15.500	3.000	Yes	P1136
911508	LS43	LS43	17.750	27.250	9.500	Yes	None
911509	LS28	LS29	14.625	23.250	8.625	Yes	None
911510	LS28	LS29	14.625	22.375	7.750	Yes	None
911511	LS77	LS39	11.375	16.625	5.250	Yes	None
911512	XP7	LS47	16.000	25.625	9.625	Yes	None
911513	S4	XP5	9.625	14.000	4.375	No	P1136
911514	LS39	LS39	11.375	16.625	5.250	Yes	None
911515	XP2	LS39	16.000	25.250	9.250	Yes	None
911516	S4	XP4	9.000	13.375	4.375	No	P1136
911517	XP7	LS47	13.125	14.750	1.625	Yes	None
911518	S4	XP12	13.000	18.500	5.500	Yes	P1136
911519	LS79	LS26	16.000	25.500	9.500	Yes	None
911520	S4	LS39	10.000	14.500	4.500	Yes	P1136
911521	S4	LS26	16.250	26.500	10.250	Yes	P1137
911522	S4	XP1	13.250	20.500	7.250	Yes	P1138
911523	LS29	LS25	14.125	21.750	7.625	Yes	None
911524	S4	XP1	13.375	21.000	7.625	Yes	P11
911525	L1	LS25	13.875	21.500	7.625	Yes	None
911526	XP7	LS47	14.750	23.750	9.000	Yes	None
911527	S6	SPEC	11.125	15.375	4.250	Yes	P1136
911528	SPEC	LS47	15.375	24.000	8.625	Yes	None
911529	S4	LS23	8.125	12.125	4.000	Yes	P1137
911530	L1	L1	13.000	20.750	7.750	Yes	None
911533	LS43	LS43	15.83	24.8	8.98	Yes	None
911536	S4	LS26	14.02	21.93	7.91	Yes	None
911537	SPEC	LS26	14.69	21.34	6.65	Yes	None
911538	SPEC	LS26	14.69	22.56	7.87	Yes	None
911539	SPEC	LS27	14.76	23.15	8.39	Yes	None

+ Bumper Stop Unit. Dimension shown at Bumper Contact.

++ Hydraulic Lockout Unit. Dimension at Lockout Contact.

SHOCKS

PART NO.	MOUNTING		LENGTHS		Travel	DUST	PARTS
	Upper	Lower	Comp	Ext		SHIELD	PACK
STEERING STABILIZER							
SC2911	L1	L1	13.250	22.875	9.625	No	Two P1198
SC2912	S4	S4	12.625	21.875	9.250	No	Two P1098
SC2913	L1	L1	14.125	24.000	9.875	No	P837 P847
SC2914	L1	S4	12.750	21.500	8.750	No	P576 P1034 P1098
SC2915	L1	L1	12.125	19.875	7.750	No	Two P848
SC2916	L1	L1	13.250	22.250	9.000	No	Two P848
SC2917	L1	L1	11.625	18.750	7.125	No	Two P848
SC2922	LS14	L1	15.375	26.375	11.000	No	P837
SC2928	L1	LS37	12.000	19.500	7.500	No	P837
SC2936	LS2	LS23	15.000	21.000	6.000	No	None
SC2937	L1	LS4	12.000	19.500	7.500	No	P837 P848
SC2939	LS22	LS2	11.625	19.125	7.500	No	None
SC2940	S4	L1	10.625	17.375	6.750	No	P843 P1098
SC2941	LS23	LS22	11.500	17.625	6.125	No	None
SC2942	L1	LS4	12.250	20.125	7.875	No	P837
SC2943	LS2	LS2	11.750	19.125	7.375	No	None
SC2946	L1	L1	16.500	25.625	9.125	No	Two P1034
SC2947	LS2	L1	15.375	23.625	8.250	No	P1034
SC2948	LS2	L1	12.500	19.875	7.375	No	P1034
SC2951	L1	LS14	17.500	28.875	11.375	No	P837
SC2953	L1	LS24	13.750	23.000	9.250	No	P837
SC2954	L1	LS2	17.875	26.500	8.625	No	P1034
SC2955	LS26	LS26	13.000	21.375	8.375	No	None
SC2956	LS4	LS4	13.875	23.250	9.375	No	None
SC2957	L1	L1	17.000	26.875	9.875	No	Two P1034
SC2958	LS38	LS38	9.250	14.000	4.750	Yes	None
SC2960	LS24	LS24	13.625	22.625	9.000	No	None
SC2961	LS39	LS38	14.500	24.375	9.875	No	None
SC2962	LS5	LS24	12.750	20.750	8.000	No	P1326
SC2963	L1	LS35	12.500	20.625	8.125	No	P1368
SC2964	L1	LS24	14.000	23.500	9.500	No	P1368
SC2965	S4	L1	15.625	27.375	11.750	No	P1134

+ Bumper Stop Unit. Dimension shown at Bumper Contact.

++ Hydraulic Lockout Unit. Dimension at Lockout Contact.

LOAD ADJUSTING SHOCKS

PART NO.	MOUNTING		LENGTHS			TRAVEL	SPRING	PARTS PACK
	Upper	Lower	Comp	Ext				
SENSA-TRAC LOAD ADJUSTING SHOCK ABSORBERS								
58241	L1/CP3	LS36	9.750	14.375 +	4.625	45#	P19	
58253	S4	LS38	10.500	16.125 +	5.625	40#	P1135	
58263	S4	XP4	9.125	13.750 +	4.625	45#	P1134	
58270	S4	XP4	8.750	13.000 +	4.250	45#	P1134	
58273	S4	XP4	8.750	13.000 +	4.250	45#	P1134	
58275	S4	LS38	9.250	14.000 +	4.750	45#	P1135	
58411	XP7	L1/CP3	12.500	20.000 +	7.500	28#	P576	
58417	L1	S4	11.375	18.125	6.750	28#	P1137	
58427	S4	LS7	14.250 +	21.500	7.250	25#	P1278	
58428	S4	L1/CP3	12.625	20.375 +	7.750	28#	P576 P1136	
58484	L2	L2	14.125	23.125	9.000	60#	None	
58486	L1	L1	11.125	18.000	6.875	V/R	P101	
58496	L2	L2	13.000	21.250	8.250	V/R	P76	
58497	L1	L1	14.000	23.375	9.375	V/R	P829	
58510	S4	L1/CP3	12.750	21.375	8.625	V/R	P577 P591	
58518	S4	LS38	12.125	19.625	7.500	60#	P1134	
58523	XP7	LS47	14.500	22.750 +	8.250	V/R	None	
58527	LS37	LS37	11.625	19.000	7.375	60#	None	
58539	S4	S4	10.625	17.875	7.250	V/R	Two P1134	
58540	XP7	LS14	12.875	21.500	8.625	V/R	P436	
58551	XP7	S4	12.125	20.375	8.250	V/R	P1137	
58552	LS41	LS37	11.125	18.000	6.875	V/R	None	
58559	S4	LS38	13.625	22.750	9.125	60#	P1135	
58567	L1	L1	12.500	20.375	7.875	60#	P573	
58568	S4	L1/CP3	12.375	19.875 +	7.500	V/R	P576 P1136	
58571	LS39	L2	15.500	25.000 +	9.500	60#	None	
58574	XP7	L1/CP3	13.375	21.250 +	7.875	V/R	P576 P941	
58575	LS37	LS37	9.375	14.500	5.125	60#	None	
58577	LS39	L2	13.750	22.500	8.750	V/R	None	
58578	L1/CP5	LS47	14.000	22.875	8.875	60#	P19	
58579	S4	S4	11.500	19.250	7.750	V/R	Two P1137	
58587	LS39	S4	11.375	18.125 +	6.750	V/R	P1134	
58591	L1	LS26	14.875	24.750	9.875	60#	None	
58592	L1	LS38	12.625	21.000	8.375	60#	P570	
58594	XP12	L1	12.750	20.000 +	7.250	V/R	None	
58595	LS39	LS39	13.000	20.875	7.875	60#	P185	
58598	LS74	LS74	14.625	22.125 +	7.500	V/R	None	
58600	XP7	LS47	16.125	26.750 +	10.625	60#	None	
58601	L1	LS26	14.250	23.000	8.750	60#	None	
58602	L1	LS26	13.375	21.750	8.375	60#	None	
58604	L1	LS26	15.750	26.375	10.625	60#	None	
58605	S4	LS26	12.375	19.750 +	7.375	60#	P1135	
58606	XP7	LS47	14.000	22.375 +	8.375	60#	None	
58608	L1	LS26	14.250	23.000	8.750	V/R	P827	
58609	XP7	LS47	15.375	25.250 +	9.875	60#	None	
58610	LS47	LS47	15.250	24.625	9.375	60#	None	
58612	XP7	LS47	14.625	23.750 +	9.125	60#	None	
58613	XP8	LS39	14.625	22.375	7.750	37#	None	
58614	XP8	LS39	15.625	25.125	9.500	37#	None	
58615	LS47	LS47	15.250	24.625	9.375	60#	None	
58616	LS28	LS26	11.875	18.125 +	6.250	V/R	None	
58617	XP7	LS26	15.500	25.125 +	9.625	37#	P941	
58618	L1	LS26	15.750	26.125	10.375	37#	P827	

LOAD ADJUSTING SHOCKS

PART NO.	MOUNTING		LENGTHS			TRAVEL	SPRING	PARTS PACK
	Upper	Lower	Comp	Ext				
SENSA-TRAC LOAD ADJUSTING SHOCK ABSORBERS								
58619	L1	LS25	13.500	21.500 +	8.000	V/R		P827
58620	LS28	LS28	11.250	17.000 +	5.750	45#		None
58624	LS27	LS26	10.625	15.750 +	5.125	45#		None
58625	S4	LS26	13.375	22.125	8.750	60#		P1135
58627	L1	L1	14.250	22.500 +	8.250	V/R		None
58628	S4	LS26	14.250	23.875	9.625	60#		P1135
58629	S5	LS26	16.000	26.375 +	10.375	37#		P1167
58630	LS28	LS28	14.500	22.750 +	8.250	37#		None
58632	LS26	LS26	13.625	21.625 +	8.000	60#		None
58633	LS26	LS26	14.250	23.000 +	8.750	60#		None
58636	LS47	LS47	15.500	23.875 +	8.375	60#		None
58637	LS47	LS47	16.875	25.750 +	8.875	60#		None
58638	LSA7	LS47	16.000	25.875	9.875	60#		None
58639	LS47	LS47	15.000	23.625	8.625	60#		None
58640	LS47	LS47	15.750	26.500	10.750	60#		None
58642	LS38	LS38	15.340	25.170	9.530			None
58643	LS38	LS38	16.590	27.550	10.660			None

AIR SHOCKS

PART NO.	MOUNTING		LENGTHS		Travel	PARTS PACK
	Upper	Lower	Comp	Ext		
MAX-AIR SHOCKS						
MA700	S4	L1/CP3	12.750 +	21.375	8.625	P576 P1134
MA702	XP7	L1/CP4	12.625 +	20.750	8.125	P72
MA704	L2	L2	13.125 +	21.250	8.125	P76
MA705	S4	S4	10.875 +	17.375 +	6.500	Two P1134
MA706	XP7	LS14	13.000 +	21.375	8.375	P414
MA708	XP7	S4	12.250 +	19.875 +	7.625	P1137
MA709	CP1	S4	10.750 +	17.375	6.625	P459 P1135
MA711	S4	LS14	11.875 +	19.625	7.750	P1134
MA717	XP7	L1/CP3	12.750 +	20.875	8.125	P576
MA719	XP7	L1/CP3	14.500 +	23.750	9.250	P576
MA726	S4	LS38	12.250 +	19.750	7.500	P1134
MA727	L1	L1	12.750 +	20.375	7.625	P573
MA728	L1/CP5	L1/CP3	14.250 +	23.375"	9.125	P572 P576
MA730	L1	LS38	12.875 +	21.000	8.125	None
MA733	LS39	L2	15.500 +	26.250	10.750	None
MA739	S4	S4	12.375 +	20.875	8.500	Two P1137
MA743	L1/CP5	LS47	14.000 +	23.000	9.000	P19
MA746	LS38	LS39	13.125 +	21.000	7.875	P185
MA750	LS39	S4	11.625 +	18.875	7.250	P1134
MA751	XP7	L1/CP3	13.000 +	20.625	7.625	P576
MA756	S4	LS17	10.250 +	16.375	6.125	P1135
MA757	LS39	L2	13.875 +	22.500	8.625	None
MA758	LS74	LS74	14.125 +	23.000	8.875	None
MA759	XP7	LS47	14.625 +	24.000 +	9.375	None
MA762	XP7	L1/CP4	12.625 +	20.625	8.000	P72
MA763	S4	XP5	12.125 +	20.125	8.000	P941 P1136
MA764	XP7	LS47	15.875 +	27.125	11.250	None
MA765	XP12	L1/CP4	12.875 +	20.500 +	7.625	P72
MA768	LS28	LS26	12.000 +	18.500	6.500	None
MA769	L1	LS26	14.125 +	22.875 +	8.750	P827
MA770	L1	LS26	15.875 +	26.375 +	10.500	P827
MA771	L1	LS26	14.125 +	22.875 +	8.750	None
MA772	L1	LS26	15.000 +	24.750 +	9.750	None
MA773	L1	LS26	13.500 +	21.750 +	8.250	None
MA774	L3	LS43	13.500 +	21.250 +	7.750	P867
MA775	L1	LS26	15.500 +	25.750 +	10.250	None
MA776	XP7	LS26	15.000	24.375 +	9.375	P941
MA777	S4	LS26	12.500 +	20.500	8.000	P1135
MA778	XP5	LS47	13.875 +	22.875 +	9.000	None
MA779	XP7	LS47	14.500 +	23.750 +	9.250	None
MA780	XP7	LS16	13.375 +	21.500	8.125	None
MA784	LS7	LS7	13.375 +	21.500 +	8.125	None
MA785	LS14	LS53	9.500 +	14.000 +	4.500	P437
MA789	XP7	L1/CP1	12.750 +	20.500	7.750	P577
MA791	LS83	LS28	15.125 +	22.375 +	7.250	None
MA792	L1	L1	13.000 +	21.250	8.250	None
MA793	S4	LS26	14.250 +	23.750 +	9.500	P1136
MA802	L1	S4	11.375	18.125 +	6.750	P1137
MA803	LS23	LS30	10.500	16.125 +	5.625	None
MA805	S4	L1/CP4	12.750 +	19.500	6.750	P72 P1134
MA809	S4	LS7	14.250 +	21.500	7.250	P1278

AIR SHOCKS

PART NO.	MOUNTING		LENGTHS		Travel	PARTS PACK
	Upper	Lower	Comp	Ext		
MAX-AIR SHOCKS						
MA810	S4	L1/CP3	12.375 +	20.500	8.125	P576 P1136
MA811	S4	LS4	13.625 +	22.250	8.625	P1134
MA812	L1	L1	12.750 +	20.750	8.000	None
MA813	LS7	LS7	14.125 +	22.875 +	8.750	None
MA814	LS32	LS32	12.000 +	18.375 +	6.375	None
MA815	S4	L1/CP3	12.250 +	19.875 +	7.625	P576 P1136
MA816	XP8	LS39	13.875 +	22.750	8.875	None
MA817	LS40	LS40	12.750 +	20.875	8.125	P185 P188
MA818	L3	LS43	14.875 +	23.625 +	8.750	P867
MA819	XP7	L1/CP3	13.375 +	21.250 +	7.875	P576
MA820	L1	L1	14.375 +	23.000	8.625	None
MA821	XP8	LS39	15.250 +	26.125	10.875	None
MA822	S1	XP7	14.500 +	24.375 +	9.875	P1243
MA824	LS26	LS26	12.750 +	20.125 +	7.375	None
MA825	S1	SPEC	15.000	25.750	10.750	17110297
MA826	LS12	LS42	11.000	16.000	5.000	None